

Unit Information

Limited 3 Year Motor Warranty
 Two Year Parts & Labor
 60Hz – 13 Amps
 Height 19" – Weight 15 lbs.
 3 HP Motor
 30,000+ RPM's
 One Piece Dishwasher Safe
 Removable Jar Pad

WARING COMMERCIAL

MX1000XT

64 oz. BPA-Free copolyester container

MX1000XTP

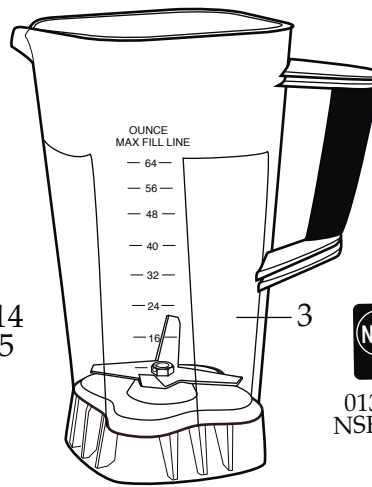
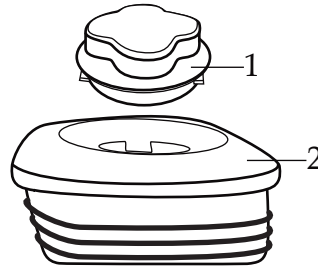
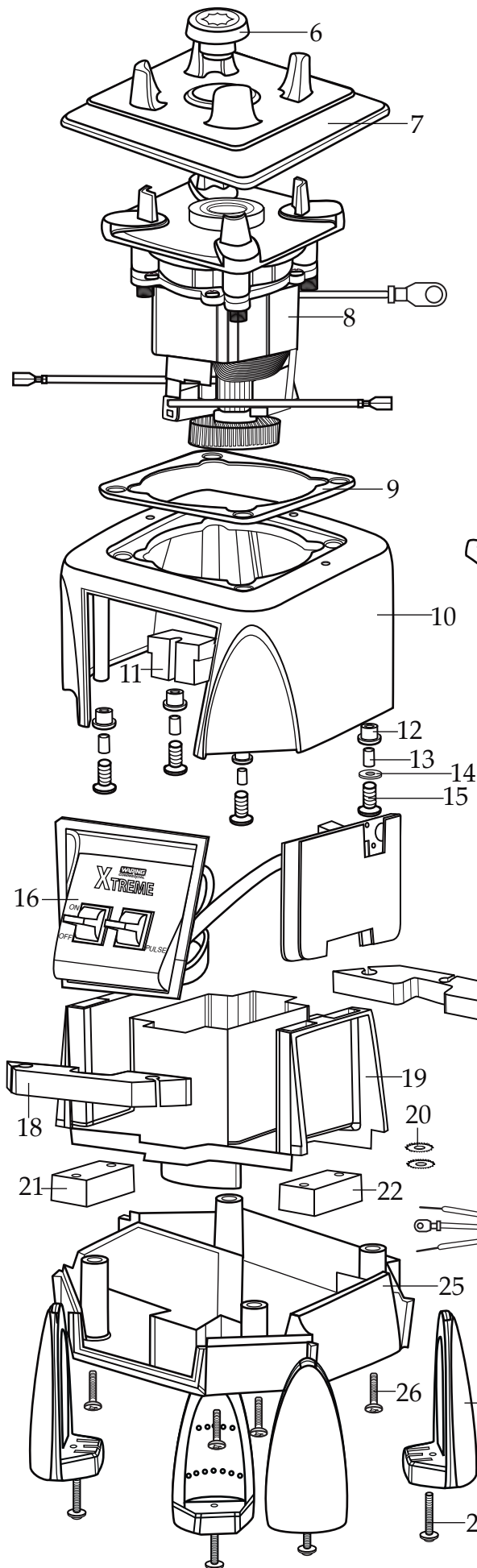
32-48 oz. BPA-Free copolyester container

MX1000XTS

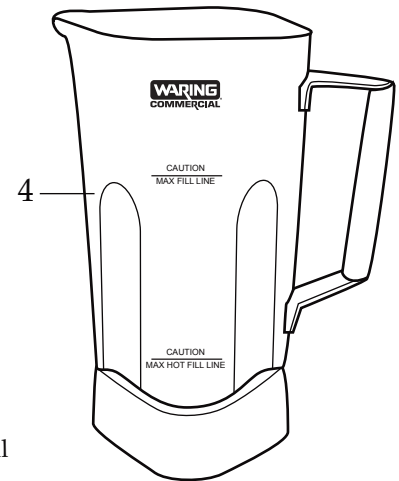
64 oz. stainless steel container

NDG1000XT

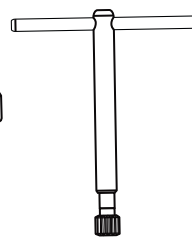
NextDayGourmet-private label
 64 oz. BPA-Free copolyester container



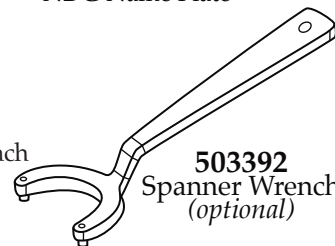
013304
 NSF Seal



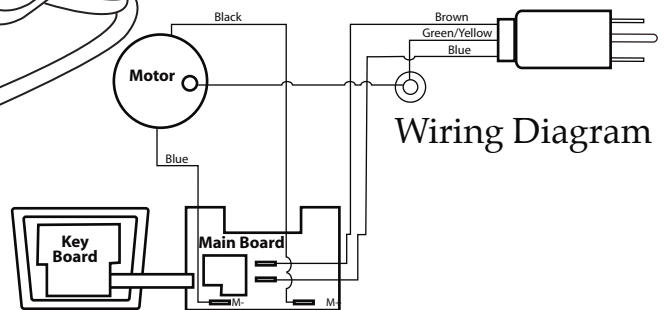
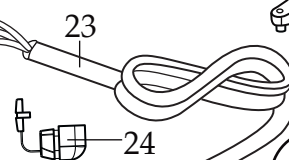
028671
 NDG Name Plate



503351
 MX Coupling Wrench
 (optional)



503392
 Spanner Wrench
 (optional)



Wiring Diagram

Catalog**Model**

MX1000XT	MX1000XT11
MX1000XTP	MX1000XT21
MX1000XTS	MX1000XT31
NDG1000XT	MX1000XT11

Waring Factory Service Center
 314 Ella T. Grasso Ave.
 Torrington, CT 06790
 Tele. 1-800-269-6640

Fax 860-496-9017
 www.waringproducts.com



Illustration #	Part #	Description
1	026425-E	Jar Lid Cover
2	026424	Jar Lid
3	503347	Jar with Blending Assy. /64 oz. Eastman
4	503346	Jar with Blending Assy. /64 oz. stainless steel
5	503348	Jar with Blending Assy. /32-48 oz. Eastman
6	028538	Drive Clutch
7	026442	Jar Pad
8	028100	Motor
9	026437	Dampening Plate Gasket
10	028032-09	Top Housing /black
11	028541	Motor Foam 2 Req.'d
12	026439	Dampening Plate Bushing 4 Req.'d
13	026453	Dampening Plate Sleeve 4 Req.'d
14	026459	Washer
15	028929	Screw 4 Req.'d
	026455	Screw 4 Req.'d (older units)
	026459	Washer 4 Req.'d (older units)
16	029808	Control Panel /soft start
	028903	Control Panel /NextDay Gourmet
17	028248	Housing Foam Baffle /rear
18	028249	Housing Foam Baffle /front
19	028240	Motor Housing
20	002943	Washer 2 Req.'d
21	028247	Bottom Housing Foam Baffle
22	028542	Foam Baffle
23	026925	Cord Set
24	007556	Strain Relief
25	028241-09-x	Bottom Housing /black
26	012505	Screw 4 Req.'d
27	026430	Corner Post 4 Req.'d
28	028928	Screw 4 Req.'d
	026459	Washer 4 Req.'d (older units)
	012505	Screw 4 Req.'d (older units)

Catalog	Model
MX1000XT	MX1000XT11
MX1000XTP	MX1000XT21
MX1000XTS	MX1000XT31
NDG1000XT	MX1000XT11

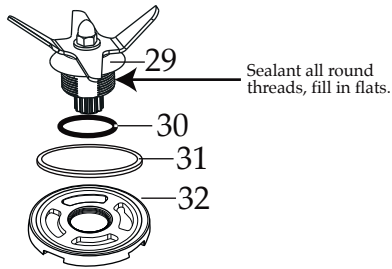
Waring Factory Service Center
 314 Ella T. Grasso Ave.
 Torrington, CT 06790
 Tele. 1-800-269-6640
 Fax 860-496-9017
 www.waringproducts.com

Illustration #	Part #	Description
29	503345	Blade Assy.
30	024271	O Ring
31	024268	Nut Gasket
32	029631	Bearing Holder Nut
33	026423-E	64 oz. Eastman Container
34	029003-E	32-48 oz. Eastman Container
35	026798	Support Washer
36	026648	64 oz. Containter / stainless steel
37	026649	Container Support
38	026797	Bearing Holder Gasket
39	026796	Bearing Holder Washer
40	026795	SS Jar Bearing Holder Nut

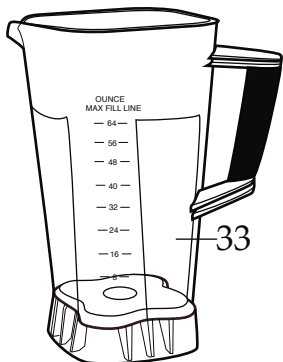
Notes for 503347 & 503348 :

Torque 100-125 in/lbs

Sealant all around the threads, fill in flats.
Dow Corning Sealant RTV 733



031060
Blending Assy. Kit



503347 and 503348 - Eastman Containers

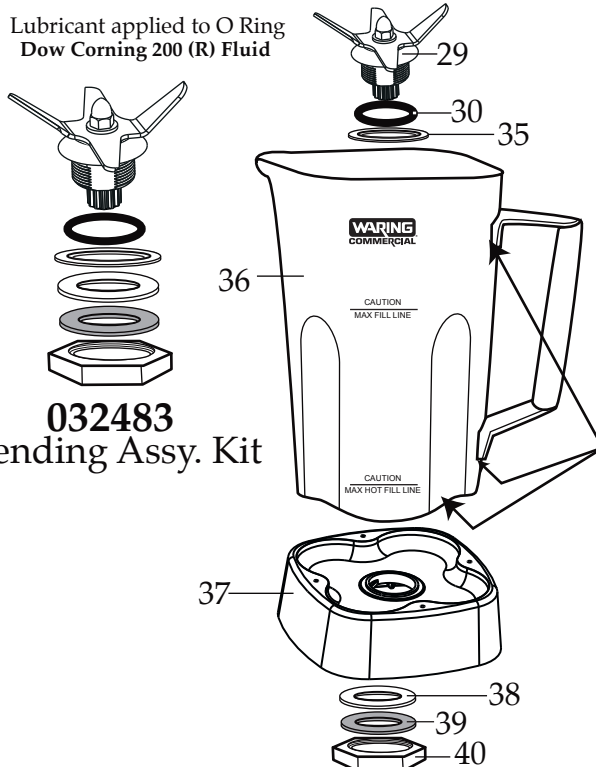


Notes for 503346 :

Torque 100-125 in/lbs

Sealant applied all around indicated areas.
Dow Corning Sealant RTV 733

Lubricant applied to O Ring
Dow Corning 200 (R) Fluid



032483
Blending Assy. Kit

503346 - Stainless Steel Container