

Plug Configuration



WARING
COMMERCIAL

208 Volt Toasters

WCT805B

Four 1 1/8" Toast Slots

WCT815B

Two 1 1/8" Toast Slots
Two 1 1/2" Extra Wide Slots

WCT825B

Four 1 1/2" Extra Wide Slots

Unit Information

WCT805B

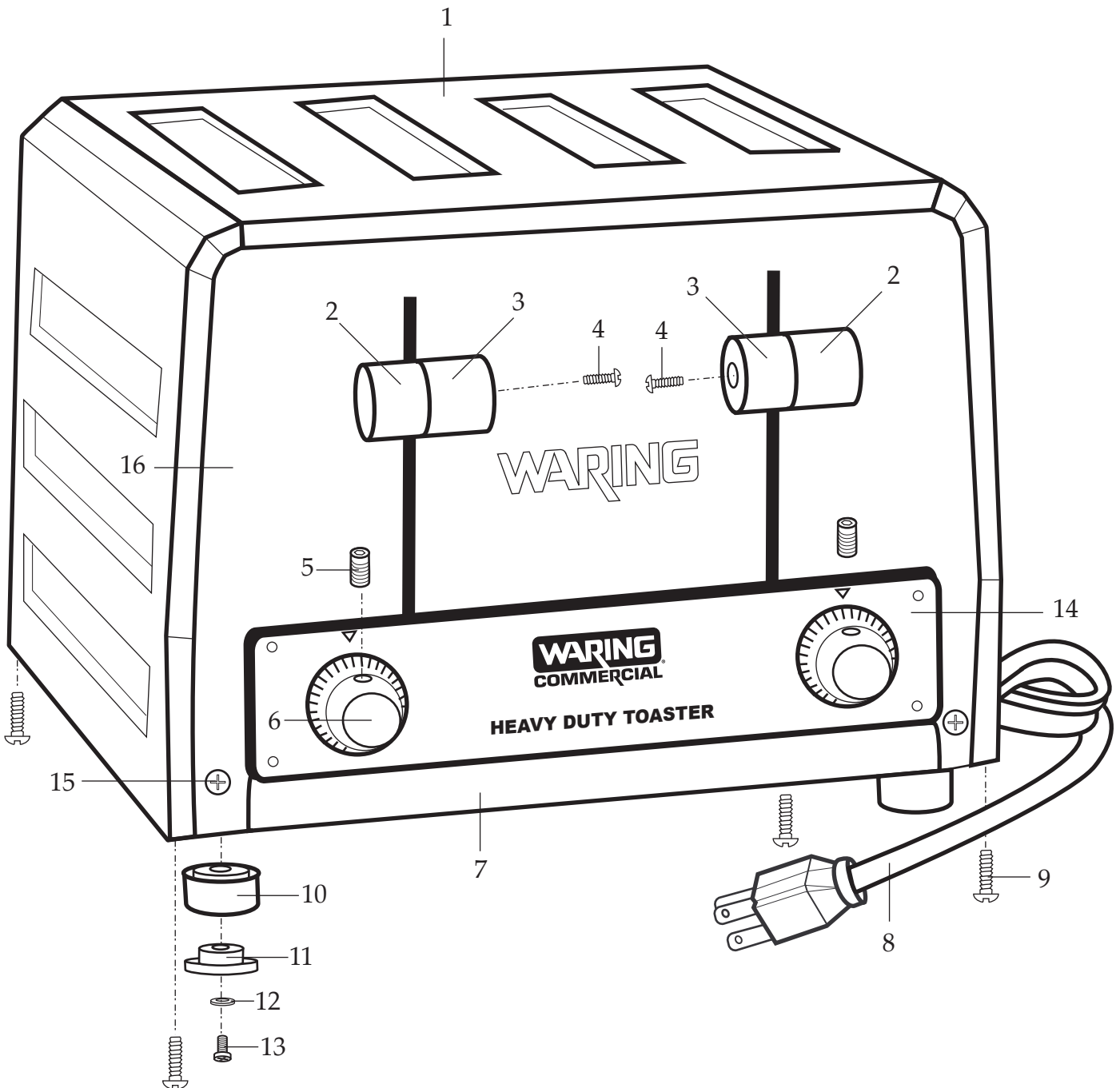
Amps 12.98 • Watts 2700

WCT815B

Amps 9.74 • Watts 2025

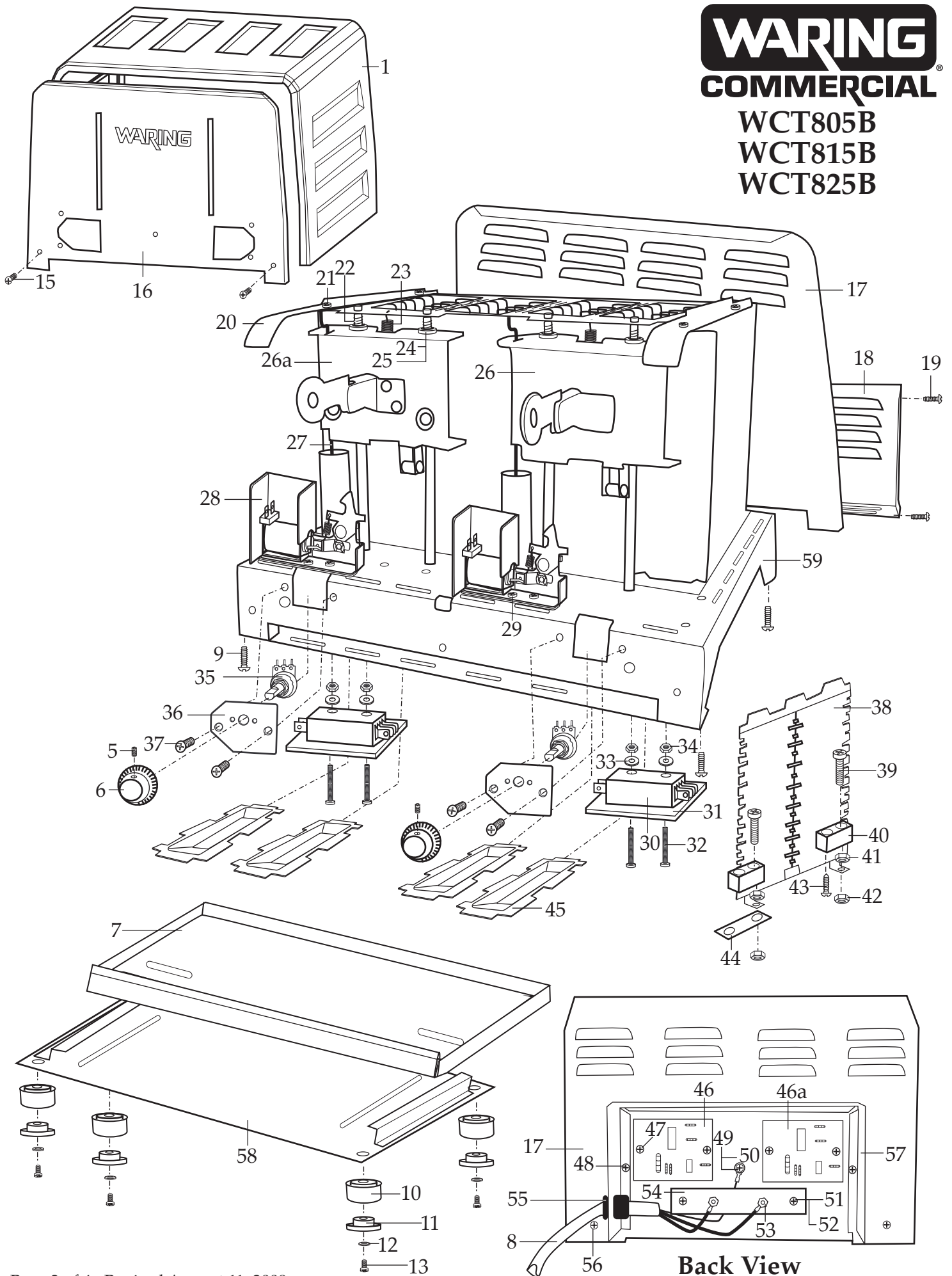
WCT825B

Amps 7.21 • Watts 1500



WARING COMMERCIAL

WCT805B
WCT815B
WCT825B



Catalog#
WCT805B
WCT815B
WCT825B

Model
Same as Catalog
Same as Catalog
Same as Catalog



Illustration #	Part #	Description
1	027219	Top Cover Plate WCT805B
	027169	Top Cover Plate WCT815B
	029825	Top Cover Plate WCT825B
2	027170	Push Knob (flat outer center) 2 Req.'d
3	027171	Push Knob (screw hole in outer center) 2 Req.'d
4	027172	Screw 2 Req.'d
5	027173	Set Screw 2 Req.'d
6	027174	Browning Control Knob
7	027175	Crumb Tray
8	027220	Cord Set
9	027177	Screw 4 Req.'d
10	027178	Foot 4 Req.'d
11	027179	Rubber Foot 4 Req.'d
12	027180	Washer 4 Req.'d
13	027181	Screw 4 Req.'d
14	502939	Front Panel Assy.
15	027177	Screw 2 Req.'d
16	027182	Front Cover Plate
17	027183	Back Cover Plate
18	027184	Power Box Cover
19	027177	Screw 4 Req.'d
20	027185	Housing Support 2 Req.'d
21	027186	Screw 4 Req.'d
22	027187	Compression Wire Spring 4 Req.'d
23	027188	Moving Bracket Spring 2 Req.'d
24	027189	Bracket Bushing /teflon 8 Req.'d
25	027190	C Ring 4 Req.'d
26	502940	Moving Bracket Assy. 2 Req.'d /WCT805B
	502940	Moving Bracket Assy. 1 Req.'d /WCT815B
26a	502941	Moving Bracket Assy. 1 Req.'d /WCT815B
	502941	Moving Bracket Assy. 2 Req.'d /WCT825B
27	027191	Damper Cylinder Rod 2 Req.'d
28	027192	Locking Mechanism
29	027193	Screw 4 Req.'d
30	027194	Switch 2 Req.'d
31	027223	Insulator 2 Req.'d
32	027195	Screw 4 Req.'d
33	027196	Washer 4 Req.'d

Catalog#
WCT805B
WCT815B
WCT825B

Model
Same as Catalog
Same as Catalog
Same as Catalog



Illustration #	Part #	Description
34	027197	Hex Nut 4 Req.'d
35	027198	Rheostat 2 Req.'d
36	027199	Insulated Bracket Plate 2 Req.'d
37	027200	Screw 4 Req.'d
38	027902	Elements 8 Req.'d /WCT805B
	027902	Elements 6 Req.'d /WCT815B
	027902	Elements 4 Req.'d /WCT825B
39	027202	Screw 16 Req.'d
40	027203	Insulator Bracket /ceramic 16 Req.'d
41	027204	Hex Nut 16 Req.'d
42	027205	Hex Nut 16 Req.'d
43	027206	Screw 16 Req.'d
44	027207	Jumper Bracket
45	027947	Baffle /standard slot
	027946	Baffle /wide slot
46	027943	PC Board 2 Req.'d /WCT805B
	027945	PC Board toast side /WCT815B
46a	027944	PC Board bagel side /WCT815B
	027944	PC Board 2 Req.'d /WCT825B
47	027209	Screw 4 Req.'d
48	027210	Screw 2 Req.'d
49	027211	Lock Washer /ground
50	027212	Screw-green /ground
51	027213	Screw 2 Req.'d
52	027214	Power PCB Holder 2 Req.'d
53	027215	Hex Nut 4 Req.'d
54	027216	Power Terminal Board
55	027224	Strain Relief
56	027177	Screw 2 Req.'d
57	027218	Power Box Body
58	027225	Bottom Cover
59	503027	Toaster Chassis Assembly for WCT805B
	503028	Toaster Chassis Assembly for WCT815B
	503325	Toaster Chassis Assembly for WCT825B

Items Not Shown

027214 - Main PCB Holder 4 Req.'d /pc board
027222 - Screw 5 Req.'d / front panel assy.