

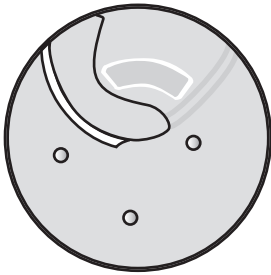
**WARING**  
**COMMERCIAL**

**WFP14S**

3.5 Qt Sealed Batch Bowl Food Processor

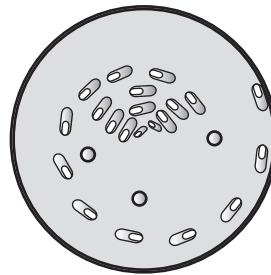
**WFP14SC**

3.5 Qt Sealed Batch Bowl and  
Continuous Feed Food Processor



**032216**

4mm - 5/32" Slicing Disc

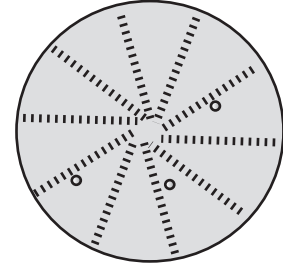


**032217**

4mm - 5/32" Shredding Disc

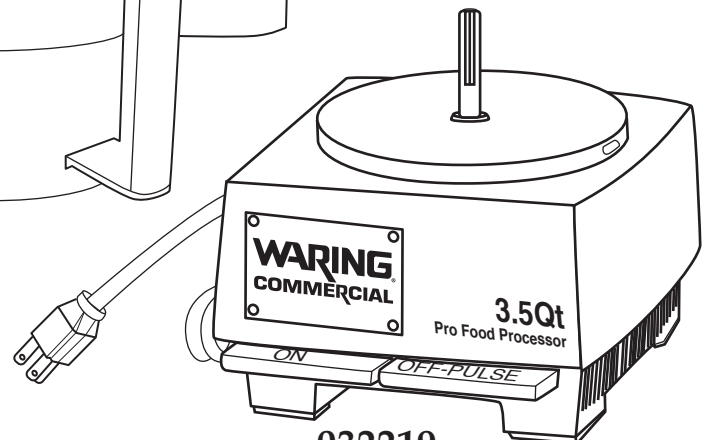
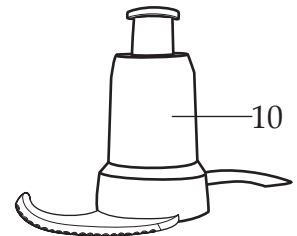
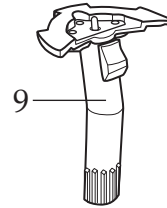
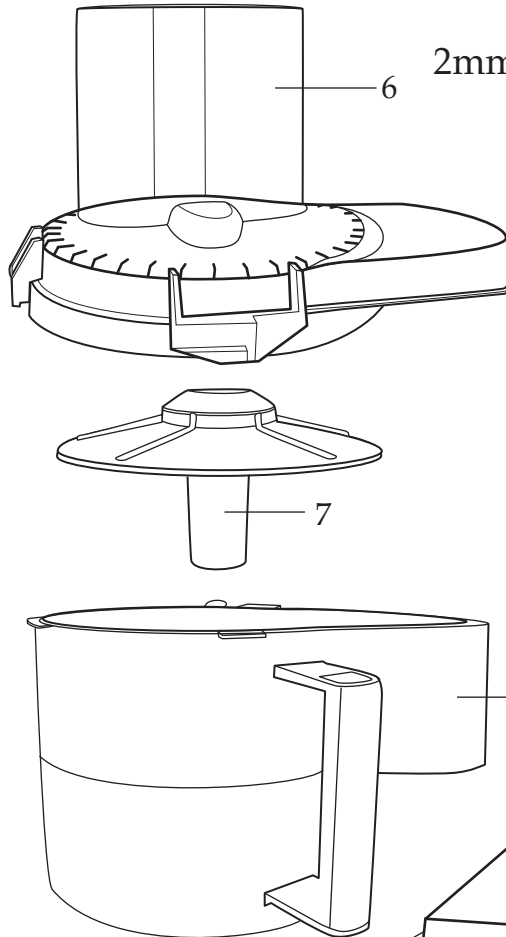
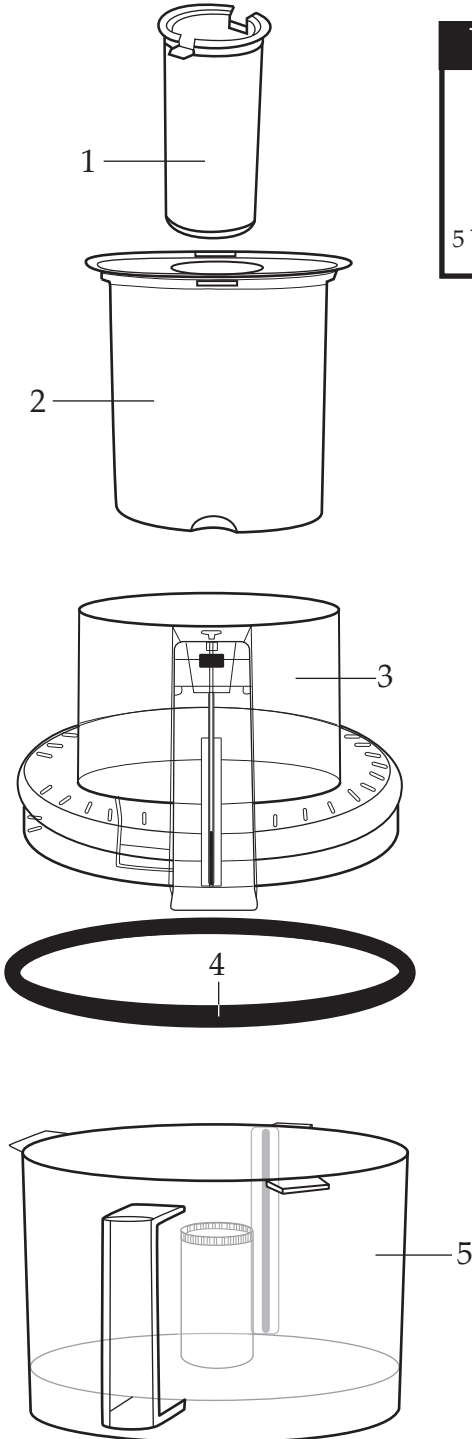
**Unit Information**

6 Amps MAX  
3.5 Quart Bowl  
1 HP Motor  
5 Yr Motor - 2 Yr Parts & Labor Warranty



**032218**

2mm - 5/64" Fine Grating Disc



**032219**

Base Unit Assy.

**Catalog**  
WFP14S  
WFP14SC

**Model**  
Same  
Same

**Waring Factory Service Center**  
314 Ella T. Grasso Ave.  
Torrington, CT 06790  
Tele. 1-800-269-6640  
Fax 860-496-9017  
www.waringproducts.com

Illustration #	Part #	Description
1	032221	Small Pusher
2	032220	Large Pusher
3	032222	Bowl Cover
4	030562	Cover Seal
5	030563	Bowl
6	032223	Continuous Feed Cover
7	030566	Slinger
8	030565	Continuous Feed Bowl
9	030567	Disc Stem
10	030568	Serrated S Blade

## Internal Components

