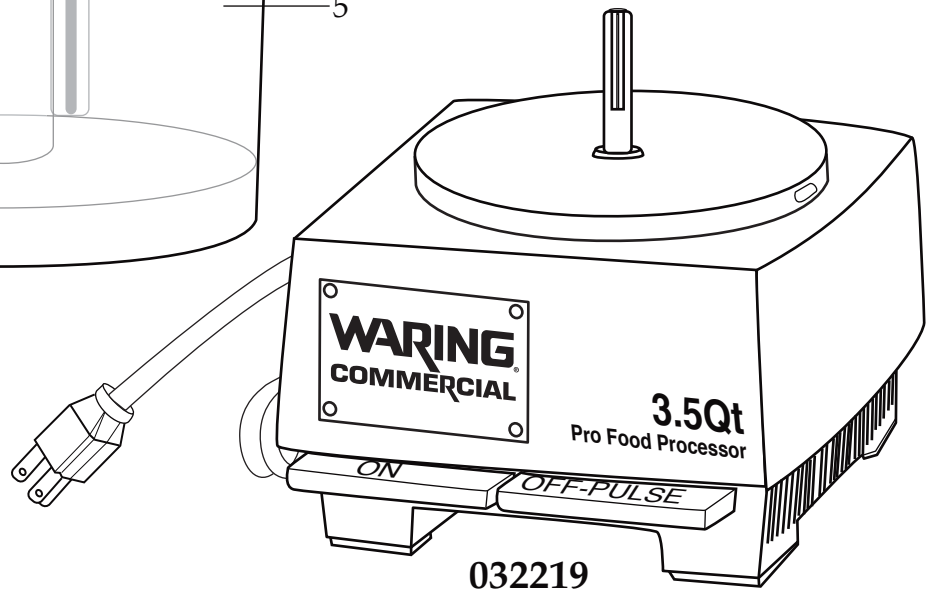
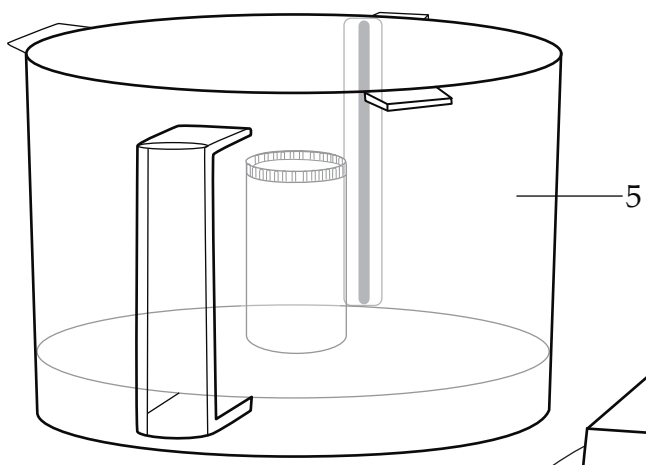
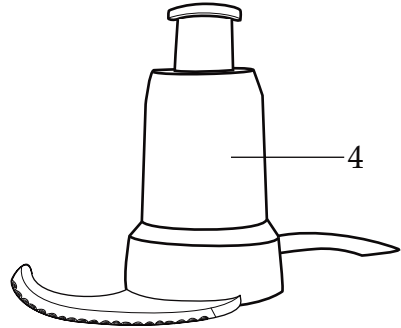
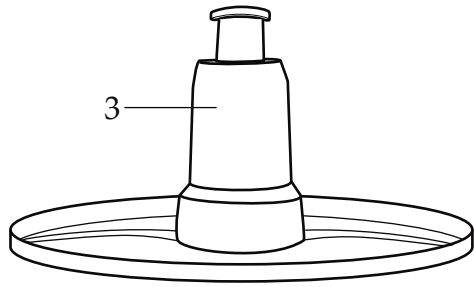
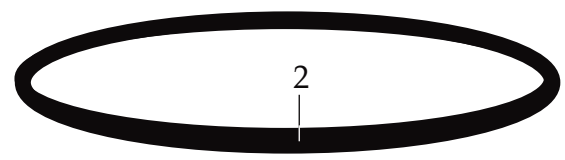
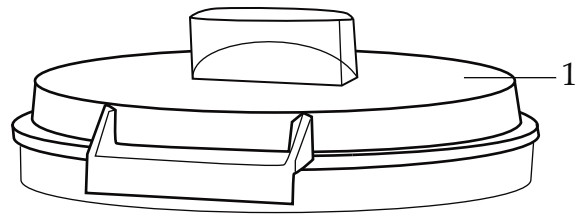


WARING
COMMERCIAL

WFP14SW
3.5 Qt Sealed Batch Bowl Food Processor

Unit Information
6 Amps MAX
3.5 Quart Bowl
1 HP Motor
5 Yr Motor - 2 Yr Parts & Labor Warranty



032219
Base Unit Assy.



Illustration #	Part #	Description
1	032600	Flat Cover
2	030562	Cover Seal
3	032583	Whipping Disc
4	030568	Serrated S Blade
5	030563	Bowl

Internal Components

