



503097
Unit Assembly

WARING
COMMERCIAL

WKS800
Knife Sharpener

Unit Information

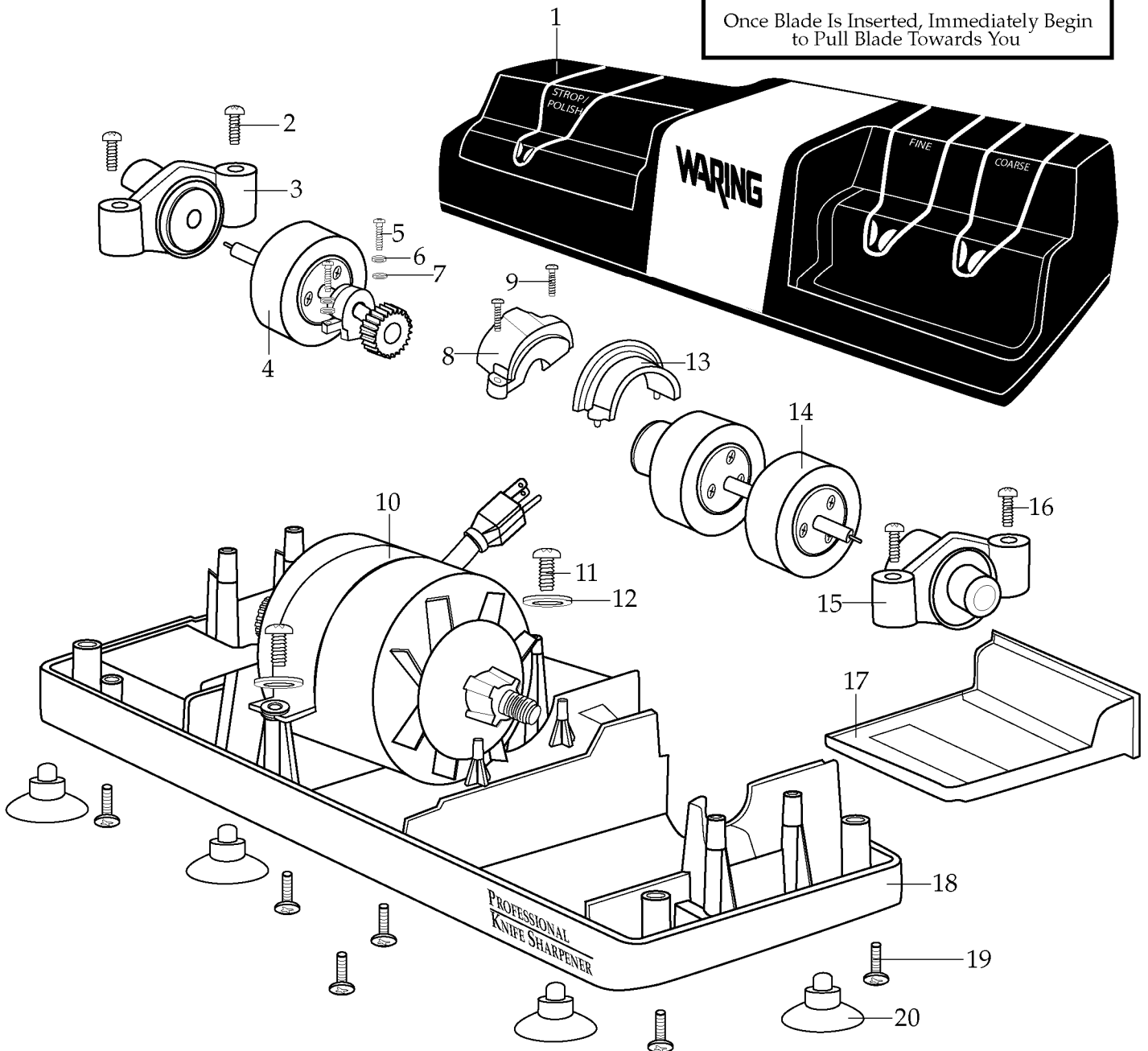
60 Hz – 32 Watts – 3.75 Amps

Grinds at an Optimal 18-22 Degree Angle
NO Lubrication Is Need or Required for Any Moving Parts

Use Light Downward Pressure Always
Alternate Pulls in Right and Left Slots
(with exception of specialized blades which only need to be sharpened on one side)

Sharpen Serrated Blades Only in the Strop/Polish Station

Once Blade Is Inserted, Immediately Begin to Pull Blade Towards You



Catalog#
WKS800

Model
Same as Catalog

Waring Factory Service Center
314 Ella T. Grasso Ave.
Torrington, CT 06790
Tele. 1-800-269-6640
Fax 860-496-9017
www.waringproducts.com

Illustration #	Part #	Description
1	503095	Top Housing Assembly
2	028287	Screw 2 Req.'d
3	028288	End Cap /polishing wheel side
4	503081	Polishing Wheel Assembly
5	028289	Screw 2 Req.'d
6	028290	Washer 2 Req.'d
7	028291	Washer 2 Req.'d
8	028292	Gear Cover
9	028293	Screw 2 Req.'d
10	028294	Motor Bracket
11	028295	Screw 2 Req.'d
12	028296	Washer 2 Req.'d
13	028297	Bushing Cover
14	503082	Grinding Wheels Assembly
15	028298	End Cap /grinding wheel side
16	028287	Screw 2 Req.'d
17	028494	Shaving Drawer
18	503096	Bottom Unit Assembly w/ motor, cord & switch
19	028299	Screw 6 Req.'d
20	028300	Foot /suction cup 4 Req.'d