

# WARING COMMERCIAL

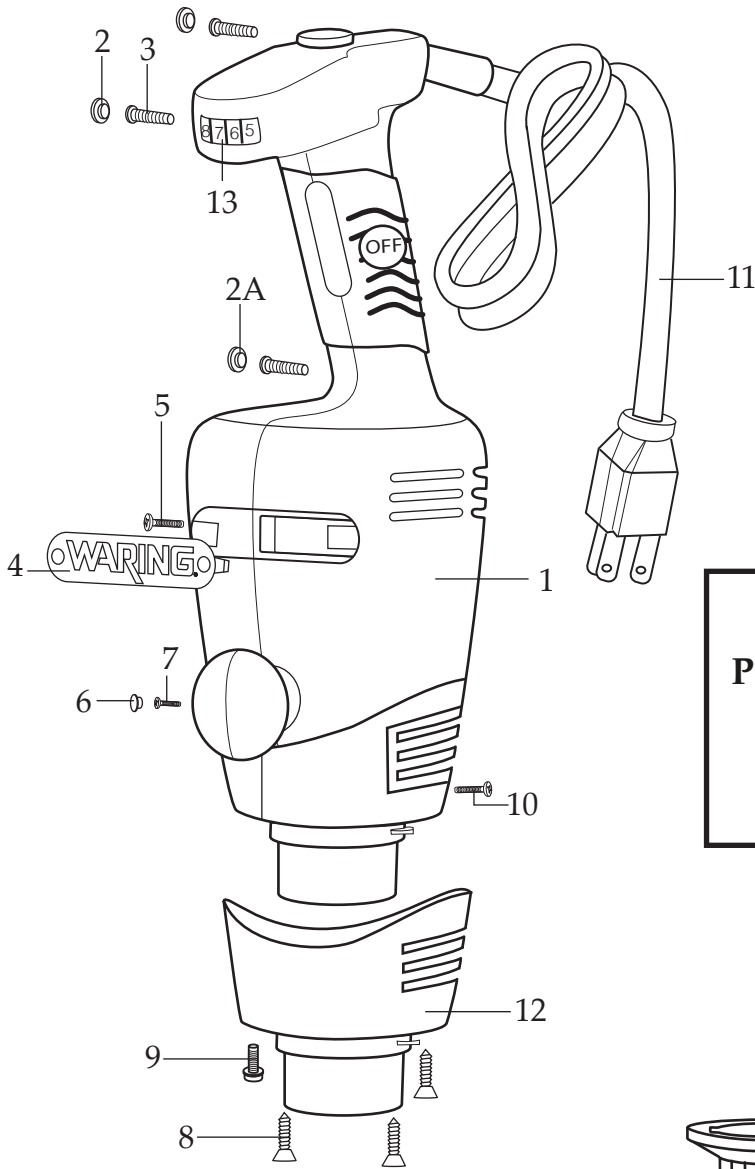
**WSB50** 12" Immersion Blender

**WSB55** 14" Immersion Blender

**WSB60** 16" Immersion Blender

**WSB65** 18" Immersion Blender

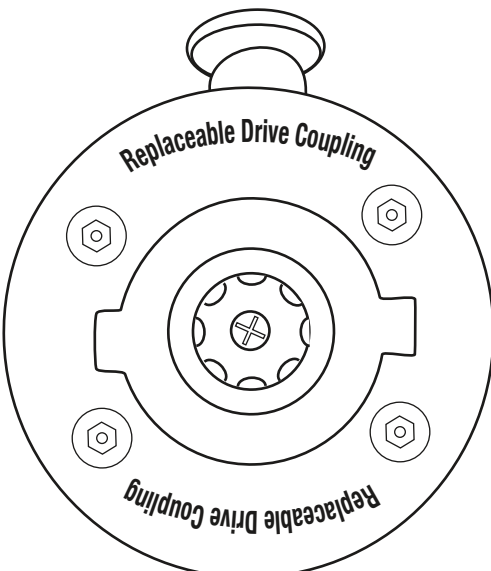
**WSB70** 21" Immersion Blender



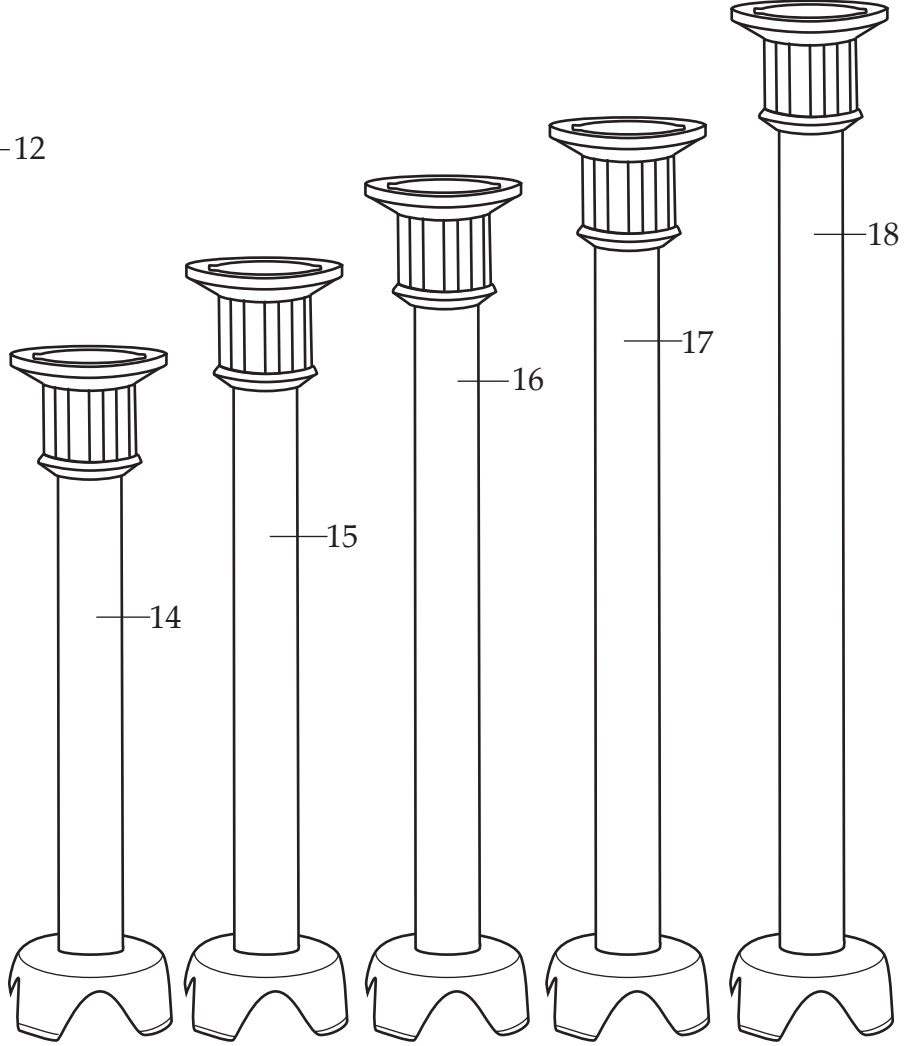
**503357 Kit** *Parts Included*

**Power Pack Coupling Tool**

**Shaft Coupling Tool**



To use the 503357 kit the bottom of your Power Pack must look like this.



**Catalog**

WSB50  
 WSB55  
 WSB60  
 WSB65  
 WSB70

**Model**

WSB  
 WSB  
 WSB  
 WSB  
 WSB

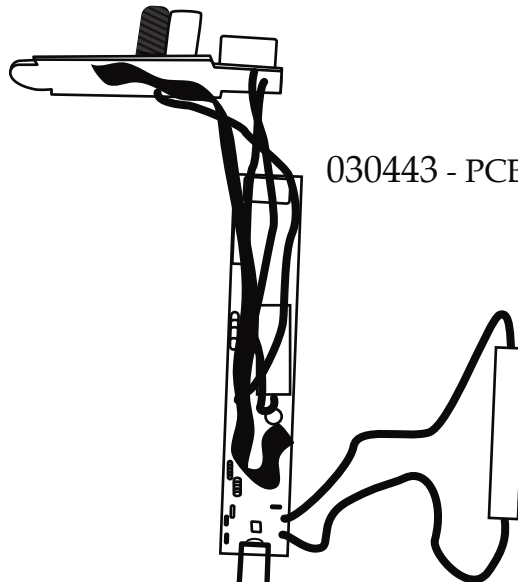
**Waring Factory Service Center**  
 314 Ella T. Grasso Ave.  
 Torrington, CT 06790  
 Tele. 1-800-269-6640

**COMMERCIAL**  
 Fax 860-496-9017  
 www.waringproducts.com

<b>Illustration #</b>	<b>Part #</b>	<b>Description</b>
1	502955	WSB Power Pack
2	029839	Hole Plug 2 Req.'d
2A	029905	Hole Plug
3	029840	Screw 3 Req.'d
4	029841	Name Plate Panel
5	029842	Screw
6	029843	Hole Plug
7	029844	Screw
8	029845	Screw 3 Req.'d
9	029846	Screw
10	029844	Screw
11	030442	Cord Set
12	030440	Housing Cover
13	032650	Speed Control Knob
14	502956	12" Shaft Assy. with Blade
15	502957	14" Shaft Assy. with Blade
16	502958	16" Shaft Assy. with Blade
17	503002	18" Shaft Assy. with Blade
18	503003	21" Shaft Assy. with Blade

**Internal Component**

032650 - Speed Control Knob



030443 - PCB Board Assy.