

Figure 4

Step 4:

Insert Rubber Gland over 2" I.P.S. Stub Pipe (Use liquid soap on Gland for easy installation). Thread Brass Compression Nut over Rubber Gland.

Insert Drain Key into Brass Compression Nut (**Figure 3**).

Using flat blade screw driver, tighten Compression Nut to ensure tight seal between Rubber Gland and 2" Pipe Stub as shown in **Figure 4**.

Remove Drain Key and secure Strainer Plate to top of Drain.

INSTALLATION OF OPTIONAL SIDE SPLASHES

To install optional side splashes, holes will need to be drilled into the sides of the sink skirt in the field for one or both sides (as it applies).

Hole locations to match holes supplied in the side panel(s). If sink is not yet installed, we recommend stainless steel 1/4--20 x 1/2" bolt and nut. If sink is already installed, use stainless steel sheet metal screws not longer than 1/2".



Installation Instructions for Floor Mounted Mop Sinks



**CHECK FOR CONCEALED DAMAGE
FILE CLAIM WITH DELIVERING FREIGHT CARRIER**

Mop Sinks are designed and constructed for the use of mop cleaning and associated activity. **Advance Tabco** does not recommend product use for any food preparation or activities employing harsh and active chemicals. Please consult factory regarding unusual applications.



Hauppauge, New York 11788

© ADVANCE TABCO MARCH 2020

Contents:

- (1) Mop Sink
- (1) "Z" Mounting Bracket
- (1) Drain

Tools Required:

- (1) Drain Key (Included with Drain)
- (1) Large Flat Screw Driver

Step 1:

Install "Z" Mounting Bracket 2-1/4" above finished floor shown in **Figure 1**.

NOTE: Hardware not included.

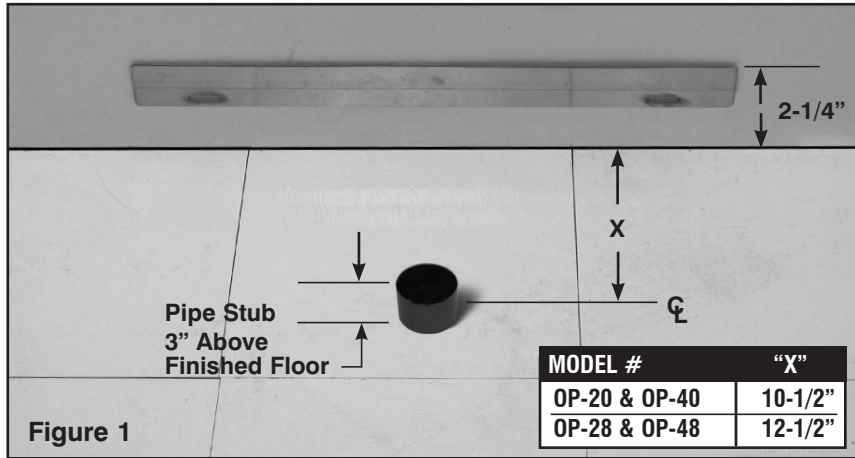


Figure 1

Step 2:

Assemble Mop Sink Drain to Mop Sink.

NOTE: Do Not install top Strainer Plate, Rubber Gland or Brass Compression Nut at this time.

Step 3:

Position Mop Sink over 2" I.P.S. stub Pipe while securing rear strap onto "Z" Mounting Bracket (**Figure 2**).

NOTE:

2" Pipe Stub must protrude 3" above finished floor for proper installation. Recommend using Silicone Sealant between bottom of Mop Sink Apron and floor.

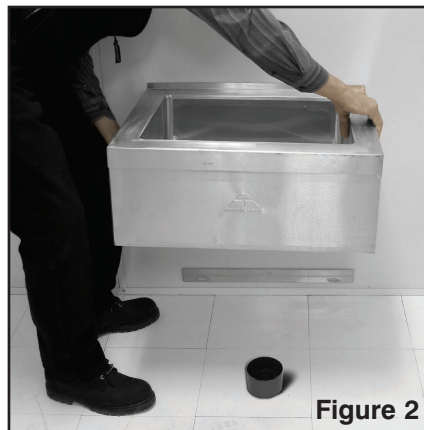


Figure 2

SECTION VIEW OF DRAIN ASSEMBLY