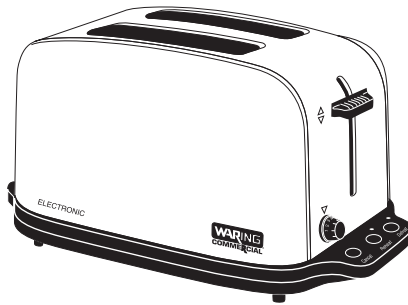
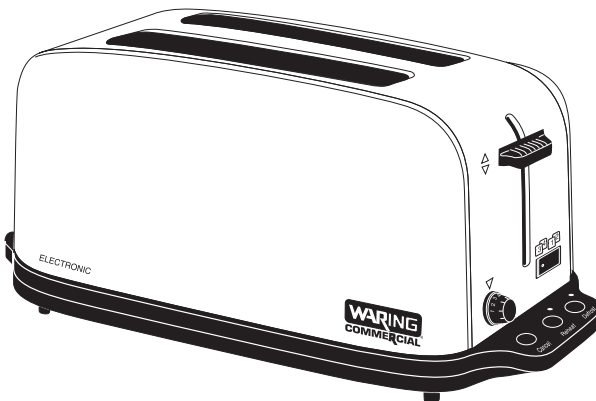


WARING[®] **COMMERCIAL**

ELECTRONIC TOASTERS



WCT702 – 2-Slice Electronic Toaster



WCT704 – 4-Slice Electronic Toaster

For your safety and continued enjoyment of this product,
always read the instruction book carefully before using.

IMPORTANT SAFEGUARDS

When using electrical appliances, basic safety precautions should always be taken, including the following:

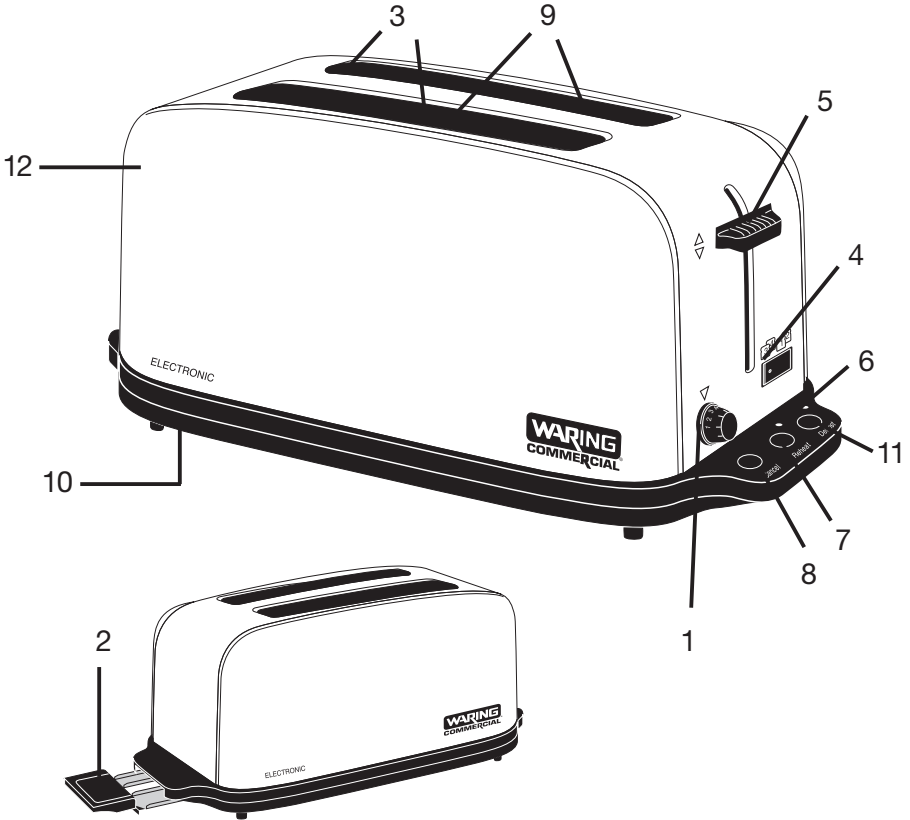
1. **READ ALL INSTRUCTIONS.**
2. Do not touch hot surfaces. Use handles or knobs.
3. To protect against risk of electrical hazards, do not immerse cord, plug, or any part of the Waring toaster in water or other liquids.
4. Close supervision is necessary when any appliance is used by or near children or individuals with certain disabilities.
5. Unplug from outlet when not in use and before cleaning. Allow unit to cool before cleaning or handling.
6. Do not operate any appliance with a damaged cord or plug or after the appliance has been dropped or damaged in any way or if it is not operating properly. Return the toaster to the nearest Waring authorized service facility for examination, repair or adjustment.
7. The use of attachments not recommended or sold by Waring may cause injury.
8. Do not use outdoors.
9. Do not let cord hang over edge of table or countertop, or touch hot surfaces.
10. Do not place on or near a hot gas or electric burner or in a heated oven.
11. Do not use this toaster for other than its intended use.
12. A fire may occur if the toaster is covered or touching flammable materials such as draperies or walls when in operation. Do not operate under wall cabinets.
13. Oversize foods, metal foil packages or utensils must not be inserted in a toaster as they may involve a risk of fire or electrical shock.
14. Do not attempt to dislodge food when toaster is plugged into electrical outlet.
15. To avoid possibility of fire, do not leave toaster unattended during use.
16. Put this list in a safe place – do not discard.

SAVE THESE INSTRUCTIONS

FOR HOUSEHOLD AND COMMERCIAL USE

PARTS LIST

MODEL WCT704



1. Electronic Browning Control
2. Slide-out Crumb Tray
3. Toaster Slots
4. Slice Control Switch (2-Slice/4-Slice)
5. Extra-Lift Carriage Control Lever
6. Defrost Control
7. Reheat Control
8. Cancel Control
9. Self-Centering Bread Racks
10. Cord Storage
11. LED Indicators
12. Classic Style Stainless Steel

NOTE: WCT702 2-Slice Toaster has same features except for slice control switch.

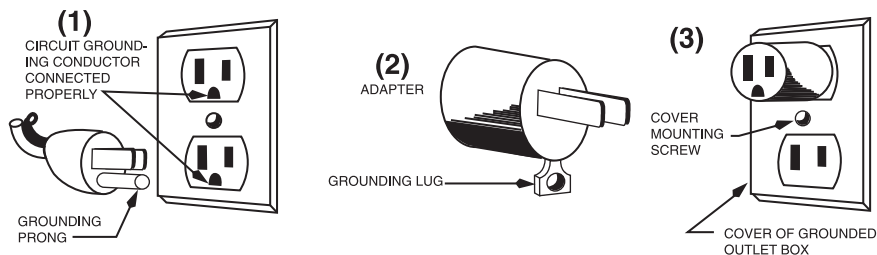
SPECIFICATIONS

- Ratings: 120 VAC – 60Hz – Single Phase; 950 W max for WCT702, 1500 W max for WCT704
- HOUSING: Classic Style Stainless Steel
- CORD: 18 Gauge – Three Conductor Grounded Cord with Strain Relief
- UL Commercial and Household Listed

GROUNDING INSTRUCTIONS

For your protection, the Waring® Commercial toaster is supplied with a molded 3-prong grounding-type plug and should be used in combination with a properly connected grounding-type outlet as shown in the figure.

NOTE: Use of an adapter is not permitted in Canada.



OPERATION

1. Put toaster on counter or on a flat, dry surface near an electrical outlet.
2. For one-slice toasting on the WCT702 (2-Slice Toaster), set the browning control on a slightly lower setting than for two slices. For two-slice toasting on the WCT704 (4-Slice Toaster), set the slice control switch to position 1-2. Add bread to the front slot (the side with the Waring logo). Set the browning control and push down the carriage control lever. The toaster will raise the bread when toasting cycle is complete. Do not overlap bread pieces.

3. For four-slice toasting on the WCT704 (4-Slice Toaster), set the slice control switch to position 3-4. Add bread to both slots. Set the browning control and push down the carriage control lever. The toaster will raise the bread when toasting cycle is complete. Do not overlap bread pieces.
4. To stop toasting cycle, press the Cancel button or just lift up on the carriage control lever. Lifting up on the carriage control lever at the end of cycle will also lift bread higher for easy removal.
5. To defrost and toast, push Defrost button and then push down the carriage control lever. Toaster will defrost, then toast, by extending the toast cycle. Toast will be browned based on selection made with the browning control.
6. To reheat, push Reheat button and then push down the carriage control lever. This cycle will not brown or toast the bread. The browning control is not utilized during this operation.
7. To disconnect, push Cancel button before removing plug from outlet.

CARE AND CLEANING

Let toaster cool before any cleaning operation.

1. To clean outer surface: Let toaster cool. Unplug power cord. Wipe down exterior with nonabrasive soft cloths or sponges dampened with washing solution (for your safety, use water no hotter than 115°F), rinse water, and sanitizing solution. Prevent liquid from running into toaster slots by wringing all excess moisture from cloths or sponges before using them. Allow toaster's outer surface to dry before using.
2. To clean crumb tray: Slide out the crumb tray and discard crumbs. Wipe crumb tray clean and replace. Never operate the toaster without the crumb tray in place.
3. To remove any pieces of bread remaining in the toaster, turn the toaster upside down and gently shake. Never insert any hard or sharp instrument into the toaster slot. This could damage the toaster and cause a safety hazard.
4. Never wrap the cord around the outside of the toaster. Use the cord storage cleats on the underside of the toaster.

WARRANTY (U.S. and Canada only)

Waring warrants every new **WARING® COMMERCIAL PRODUCT** to be free from defects in material and workmanship for a period of 1 year from the date of purchase when used with foodstuffs, nonabrasive liquids (other than detergents) and nonabrasive semi-liquids, providing it has not been subjected to loads in excess of the indicated rating.

Under this warranty, the Waring® Commercial Division will repair or replace any part which, upon examination, appears to us to be defective in materials or workmanship, provided the toaster is delivered prepaid to the Waring Service Center at New Hartford, CT 06057, or any Authorized Service Center.

This warranty does not: a) apply to any unit that has become worn, defective, damaged or broken due to use, repairs, or servicing by other than the Waring Service Center or an Authorized Service Center, or due to abuse, misuse, overloading or tampering; b) cover consequential damages of any kind.

This warranty gives you specific legal rights, and you may have other rights, which vary from state to state so that certain limitations or exclusions set forth above may not apply to you.

WARNING - This warranty is **VOID** if the appliance is used on Direct Current (DC).



Waring Commercial
283 Main Street
New Hartford, CT 06057-270

SERVICE

Refer to the list of Authorized Service Centers enclosed with your Waring® Toaster for the name of the nearest Service Center, or contact Waring in one of the following 3 ways:

1) Mail:



SERVICE CENTER
NEW HARTFORD, CT 06057

2) Product Service: (800) 269-6640 or (800) 4WARING

3) Internet: <http://www.waringcommercialproducts.com>

E-mail: service@waringproducts.com

Ship units for repair to the above address or to an Authorized Service Center.

Do not ship to a Waring Sales Office.

Trademarks or service marks of third parties used herein are the trademarks or service marks of their respective owners.

©2016 Waring Commercial
314 Ella T. Grasso Avenue
Torrington, CT 06790
www.waringcommercialproducts.com

Printed in China
WCT702/WCT704 IB

16WC019242

IB-3429F