



WELLS BLOOMFIELD, LLC
10 Sunnen Dr., St. Louis, MO 63143
telephone: 888-356-5362
fax: 314-781-2714
www.wells-mfg.com



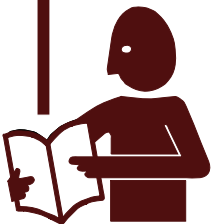
Model H336

**OWNERS MANUAL
for
BUILT-IN
ELECTRIC
HOTPLATES
Models:
H336, H636 and
H706**



Model H706

**Includes
INSTALLATION
USE & CARE
EXPLODED VIEW
PARTS LIST
WIRING DIAGRAM**



IMPORTANT: DO NOT DISCARD THIS MANUAL

This manual is considered to be part of the appliance and is to be given to the OWNER or MANAGER of the restaurant, or to the person responsible for TRAINING OPERATORS of this appliance. Additional manuals are available from your WELLS DEALER.

THIS MANUAL MUST BE READ AND UNDERSTOOD BY ALL PERSONS USING OR INSTALLING THIS APPLIANCE. Contact your WELLS DEALER if you have any questions concerning installation, operation or maintenance of this equipment.

LIMITED WARRANTY STATEMENT

Unless otherwise specified, all commercial cooking equipment manufactured by WELLS BLOOMFIELD, LLC is warranted against defects in materials and workmanship for a period of one year from the date of original installation or 18 months from the date of shipment from our factory, whichever comes first, and is for the benefit of the original purchaser only.

THIS WARRANTY IS THE COMPLETE AND ONLY WARRANTY, EXPRESSED OR IMPLIED IN LAW OR IN FACT, INCLUDING BUT NOT LIMITED TO, WARRANTIES OF MERCHANTABILITY OR FITNESS FOR ANY PARTICULAR PURPOSE, AND/OR FOR DIRECT, INDIRECT OR CONSEQUENTIAL DAMAGES IN CONNECTION WITH WELLS BLOOMFIELD PRODUCTS.

This warranty is void if it is determined that, upon inspection by an authorized service agency, the equipment has been modified, misused, misapplied, improperly installed, or damaged in transit or by fire, flood or act of God. It also does not apply if the serial nameplate has been removed, or if service is performed by unauthorized

personnel. The prices charged by Wells Bloomfield for its products are based upon the limitations in this warranty. Seller's obligation under this warranty is limited to the repair of defects without charge by a Wells Bloomfield factory authorized service agency or one of its sub-service agencies. This service will be provided on customer's premises for non-portable models. Portable models (a device with a cord and plug) must be taken or shipped to the closest authorized service agency, transportation charges prepaid, for service. In addition to restrictions contained in this warranty, specific limitations are shown in the Service Policy and Procedure Guide. Wells Bloomfield authorized service agencies are located in principal cities. This warranty is valid in the United States and Canada and void elsewhere. Please consult your classified telephone directory, your foodservice equipment dealer or contact:

Wells Bloomfield, LLC

**10 Sunnen Dr., St. Louis MO 63143 USA
phone (888) 356-5362 or fax (314) 781-2714**

for information and other details concerning warranty.

SERVICE POLICY AND PROCEDURE GUIDE and ADDITIONAL WARRANTY EXCLUSIONS

1. Resetting of safety thermostats, circuit breakers, over load protectors, and/or fuse replacements are **not** covered by this warranty unless warranted conditions are the cause.
2. All problems due to operation at **voltages or phase other than specified on equipment nameplates** are **not** covered by this warranty. Conversion to correct voltage and/or phase must be the customer's responsibility.
3. All problems due to **electrical connections not made in accordance with electrical code requirements and wiring diagrams** supplied with the equipment are **not** covered by this warranty.
4. Replacement of items **subject to normal wear**, to include such items as knobs, light bulbs; and, normal maintenance functions including adjustments of thermostats, adjustment of micro switches and replacement of fuses and indicating lights are **not** covered by warranty.
5. Damage to electrical cords and/or plug due to exposure to excessive heat are **not** covered by this warranty.
6. Full use, care, and maintenance instructions supplied with each machine. Noted maintenance and preventative maintenance items, such as servicing and cleaning schedules, are customer responsibility. Those miscellaneous adjustments noted are customer responsibility. Proper attention to preventative maintenance and scheduled maintenance procedures will prolong the life of the appliance.
7. Travel mileage is limited to **sixty (60) miles** from an Authorized Service Agency or one of its sub-service agencies.
8. All labor shall be performed during regular working hours. Overtime premium will be charged to the buyer.
9. All genuine Wells replacement parts are warranted for ninety (90) days from date of purchase on non-warranty equipment. This parts warranty is limited only to replacement of the defective part(s). **Any use of non-genuine Wells parts completely voids any warranty.**
10. Installation, labor, and job check-outs are **not** considered warranty and are thus **not** covered by this warranty.
11. Charges incurred by delays, waiting time or operating restrictions that hinder the service technician's ability to perform service are **not** covered by warranty. This includes institutional and correctional facilities.

SHIPPING DAMAGE CLAIM PROCEDURE

NOTE: For your protection, please note that equipment in this shipment was carefully inspected and packaged by skilled personnel before leaving the factory. Upon acceptance of this shipment, the transportation company assumes full responsibility for its safe delivery.

IF SHIPMENT ARRIVES DAMAGED:

1. **VISIBLE LOSS OR DAMAGE:** Be certain that any visible loss or damage is noted on the freight bill or express receipt, and that the note of loss or damage is signed by the delivery person.
2. **FILE CLAIM FOR DAMAGE IMMEDIATELY:** Regardless of the extent of the damage.

3. **CONCEALED LOSS OR DAMAGE:** if damage is unnoticed until the merchandise is unpacked, notify the transportation company or carrier immediately, and file "CONCEALED DAMAGE" claim with them. This should be done within fifteen (15) days from the date the delivery was made to you. Be sure to retain the container for inspection.

Wells Bloomfield cannot assume liability for damage or loss incurred in transit. We will, however, at your request, supply you with the necessary documents to support your claim.

TABLE OF CONTENTS

WARRANTY	xi
SPECIFICATIONS	1
FEATURES & OPERATING CONTROLS	2
PRECAUTIONS & GENERAL INFORMATION	3
AGENCY APPROVAL INFORMATION	3
INSTALLATION	4
OPERATION	5
CLEANING INSTRUCTIONS	6
TROUBLESHOOTING	7
EXPLODED VIEW & PARTS LIST	8
PARTS & SERVICE	12 - 17
WIRING DIAGRAM	18 - 19
CUSTOMER SERVICE DATA	19

INTRODUCTION

Thank You for purchasing this Wells Bloomfield appliance.

Proper installation, professional operation and consistent maintenance of this equipment will ensure that it gives you the very best performance and a long, economical service life.

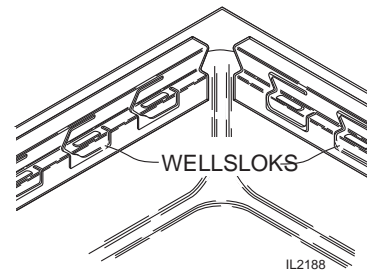
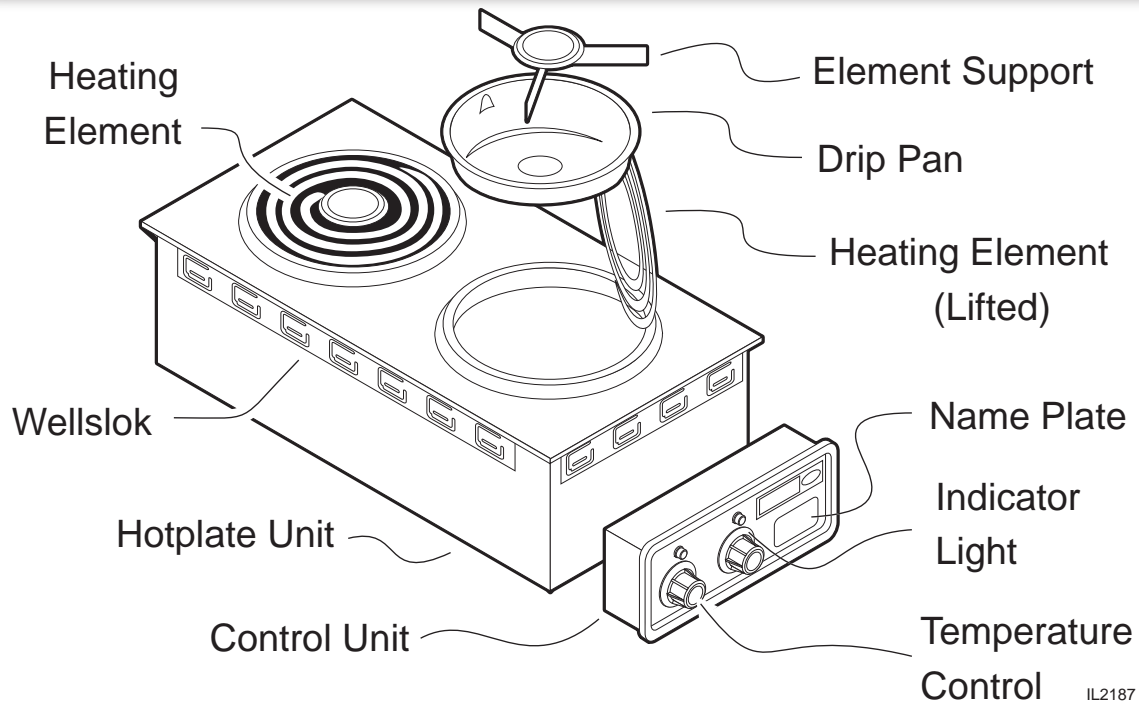
This manual contains the information needed to properly install this equipment, and to use and care for the equipment in a manner which will ensure its optimum performance.

SPECIFICATIONS

MODEL	ELEMENT	VOLTS	AMPS	kW	*DIMENSIONS
H336	Single 8" Coil	208 V 1Ø	9.4 A	2.0 kW	10" outside diameter
		240 V 1Ø	10.8A	2.6 kW	
H636	Dual 8" Coils	208 V 1Ø	18.8 A	3.9 kW	14-3/4" W x 23-1/2" D
		240 V 1Ø	21.7 A	5.2 kW	
H706	Dual 9" french plates	208 V 1Ø	14.4 A	3.0 kW	14-3/4" W x 23-1/2" D
		240 V 1Ø	16.7 A	4.0 kW	

Refer to Installation Instructions for cutout dimensions.

FEATURES & OPERATING CONTROLS



HOTPLATE UNIT:	
Heating Element	Provides heat for food preparation
	Coil-type elements rotate for access to drip pan
	Note: Solid (french plate) elements on model H-706 do not lift
Element Support*	Holds coil-type element in proper position
Drip Pan*	Collects drippings and holds element support.
	Also deflects heat from element for more efficient cooking
Wellslok	Mounts hotplate unit to counter
CONTROL UNIT:	
Temperature Control	Infinite switch to control temperature of heating element
Indicator Light	Clows any time temperature control is on
Name Plate	List manufacturer, model number and serial number, also lists voltage and wattage rating.

* = not used on model H706

PRECAUTIONS AND GENERAL INFORMATION

This appliance is intended for use in commercial establishments only.

This appliance is intended to prepare food for human consumption. No other use is recommended or authorized by the manufacturer or its agents.

Operators of this appliance must be familiar with the appliance use, limitations and associated restrictions. Operating instructions must be read and understood by all persons using or installing this appliance.

Cleanliness of this appliance is essential to good sanitation. Read and follow all included cleaning instructions and schedules to ensure the safety of the food product.

Hotplates with coil-type heating elements must be operated with drip pan and element support properly installed.

Disconnect the hotplate from electrical power before performing any maintenance or servicing.

DO NOT splash or pour water over or into interior of hotplate, control panel or wiring.

The technical content of this manual, including any wiring diagrams, schematics, parts breakdown illustrations and/or adjustment procedures, is intended for use by qualified technical personnel.

Any procedure that requires the use of tools must be performed by a qualified technician.

This manual is considered to be a permanent part of the appliance. This manual and all supplied instructions, diagrams, schematics, parts breakdown illustrations, notices and labels must remain with the appliance if it is sold or moved to another location.

This appliance is made in the USA. Unless otherwise noted, this appliance has American sizes on all hardware.



WARNING: ELECTRIC SHOCK HAZARD

All servicing requiring access to non-insulated electrical components must be performed by a factory authorized technician.

DO NOT open any access panel that requires the use of tools. Failure to follow this warning can result in severe electrical shock.





CAUTION: RISK OF DAM- AGE

DO NOT connect and/or energize this appliance until all installation instructions are read and followed. Damage to the appliance will result if these instructions are not followed.

AGENCY APPROVAL INFORMATION

This appliance conforms to NSF Standard 4 for sanitation only if installed in accordance with the supplied *Installation Instructions*.

This appliance is Underwriters Laboratory recognized (). Since this appliance is only a single component of a complete installation, the finished installation of this  unit requires additional evaluations to Underwriters Laboratory standards.

This unit is designed to be installed in a metal counter only.

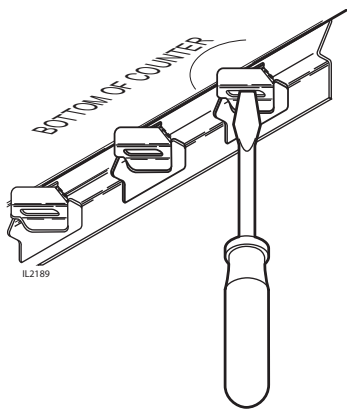


STD 4



INSTALLATION

NOTE: DO NOT discard the carton or other packing materials until you have inspected the appliance for hidden damage and tested it for proper operation. Refer to *SHIPPING DAMAGE CLAIM PROCEDURE* on the inside front cover of this manual.



IMPORTANT:
Water damage caused by failure to seat Wellsloks or failure to install gasket or to seal flange to counter is NOT covered by warranty

IMPORTANT:
Contact a licensed electrician to install and connect electrical power to the hotplate.

IMPORTANT:
Damage due to being connected to the wrong voltage or phase is NOT covered by Warranty.

UNPACKING & INSPECTION

Carefully remove the hotplate from the carton. Remove all protective plastic film, packing materials and accessories from the hotplate before connecting the hotplate to electrical power or otherwise performing any installation procedure.

Carefully read all instructions in this manual and the *Installation Instruction Sheet* packed with the hotplate before starting any installation.

Read and understand all labels and diagrams attached to the hotplate.

Carefully account for all components and accessories before discarding packing materials. Store all accessories in a convenient place for later use.

PREPARATION

Carefully the *Installation Instruction Sheet* packed with the hotplate for cutout dimensions and restrictions.

Hotplate must be installed in a metal counter only.

Supplied gasket must be installed under the mounting flange, and the Wellsloks turned out to seal the hotplate and control unit to the counter.


Apply a thin bead of food-grade silicone sealant where the flange meets the counter.

ELECTRICAL

Hotplate must be installed by a licensed electrician in accordance with all applicable codes and ordinances.

Refer to the nameplate. Verify the electrical service power. Voltage and phase must match the nameplate specifications. Connecting the hotplate to the wrong voltage can severely damage the equipment or cause noticeably decreased performance.

The ground lug of the hotplate and control unit must be connected to a suitable building ground.

INSTALLATION NOTE: The installation of  units requires additional evaluations to Underwriters Laboratory standards.

OPERATION

GENERAL OPERATIONAL NOTES

Carefully read the description of the hotplate operation on the specification sheet.

DO NOT attempt to perform any maintenance or service unless the hotplate is disconnected from electrical power.

DO turn the circuit breaker for the hotplate off before cleaning, servicing or performing any maintenance.

DO NOT use sharp objects or metal implements to clean the heating element(s).

DO use a plastic spatula or plastic scouring pad to remove burned-on food product.

OPERATION

Each heating element is controlled by an infinite switch temperature control:

- OFF removes power from the element

- LOW thru 8 are temperature settings

 - Higher numbers indicate higher temperatures

 - There is a continuous range of settings between LOW and HI

- HI is a continuous ON setting

The indicator light will glow any time the temperature control is on.

Cooking Recommendations:

Save energy by turning the temperature control off any time the hotplate is not in use. The coil-type heating elements will provide full heat within 30 seconds, while french plate heating elements will reach full heat within 2 minutes, making it unnecessary to leave the unit on during intermittent use.

Each heating element can hold up to a 16 quart pot or pan. For efficient heating of food product, pots and pans should be no more than 10" in diameter.

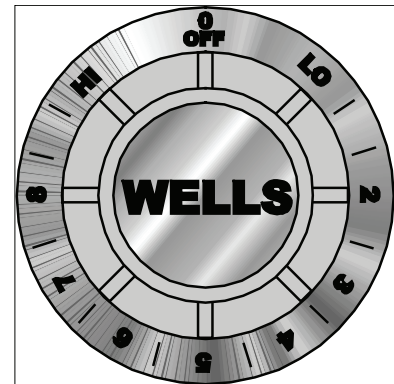
Maximize the efficiency of solid (french plate) elements by using flat-bottom pots and pans.

Stir thick liquids frequently to maintain a consistent temperature.



CAUTION:
HOT SURFACES

Exposed surfaces can be hot to the touch and may cause burns.



IMPORTANT:

The dial markings are an INDICATION of temperature only. The temperature of the food product depends on many factors, including the size, shape and material of the food container, and the quantity and consistency of the food product.

CLEANING INSTRUCTIONS



CAUTION: ELECTRIC SHOCK HAZARD

Disconnect hotplate from electric power before cleaning.



CAUTION: BURN HAZARD

Allow hotplate element and cabinet to cool completely before cleaning.



CAUTION: ELECTRIC SHOCK HAZARD

Do not submerge hotplate in water.

IMPORTANT: DO NOT spill or pour water into interior of hotplate.

IMPORTANT: DO NOT spill or pour water into controls, control panel or wiring.

DO NOT submerge hotplate in water. Damage to internal components will occur. Damage to internal components from water damage is NOT covered by warranty.

DO NOT use metal implements, steel wool or metal scouring pads to clean heating elements.

PREPARATION

Unplug or disconnect hotplate from electrical power before cleaning. Allow hotplate to cool completely before cleaning.

FREQUENCY

Daily

TOOLS

Plastic Spatula and Plastic Scouring Pad
Clean Cloth or Sponge
Mild Detergent or Cleaner Formulated for Stainless Steel
Warm Water

CLEANING

Disconnect hotplate from electrical power and allow heating elements to cool completely before cleaning.

COILED HEATING ELEMENTS:

Lift coiled heating elements and remove drip pans. Clean drip pans with a plastic spatula or plastic scouring pad, mild detergent and warm water. DO NOT use metal implements, steel wool or metal scouring pads to clean drip pans. Rinse drip pans by wiping with a clean cloth or sponge dampened with clean water.

Clean heating elements with a plastic spatula or plastic scouring pad, mild detergent and warm water. DO NOT use metal implements, steel wool or metal scouring pads to clean elements. Rinse by wiping with a clean cloth or sponge dampened with clean water.

Reinstall drip pans and gently lower heating element.

FRENCH PLATE HEATING ELEMENTS:

French plate elements do not lift. Clean heating elements with a plastic spatula or plastic scouring pad, mild detergent and warm water. DO NOT use metal implements, steel wool or metal scouring pads to clean elements. Rinse by wiping with a clean cloth or sponge dampened with clean water.

Dry exposed portions of hotplate unit and control unit by wiping with a clean soft dry cloth.

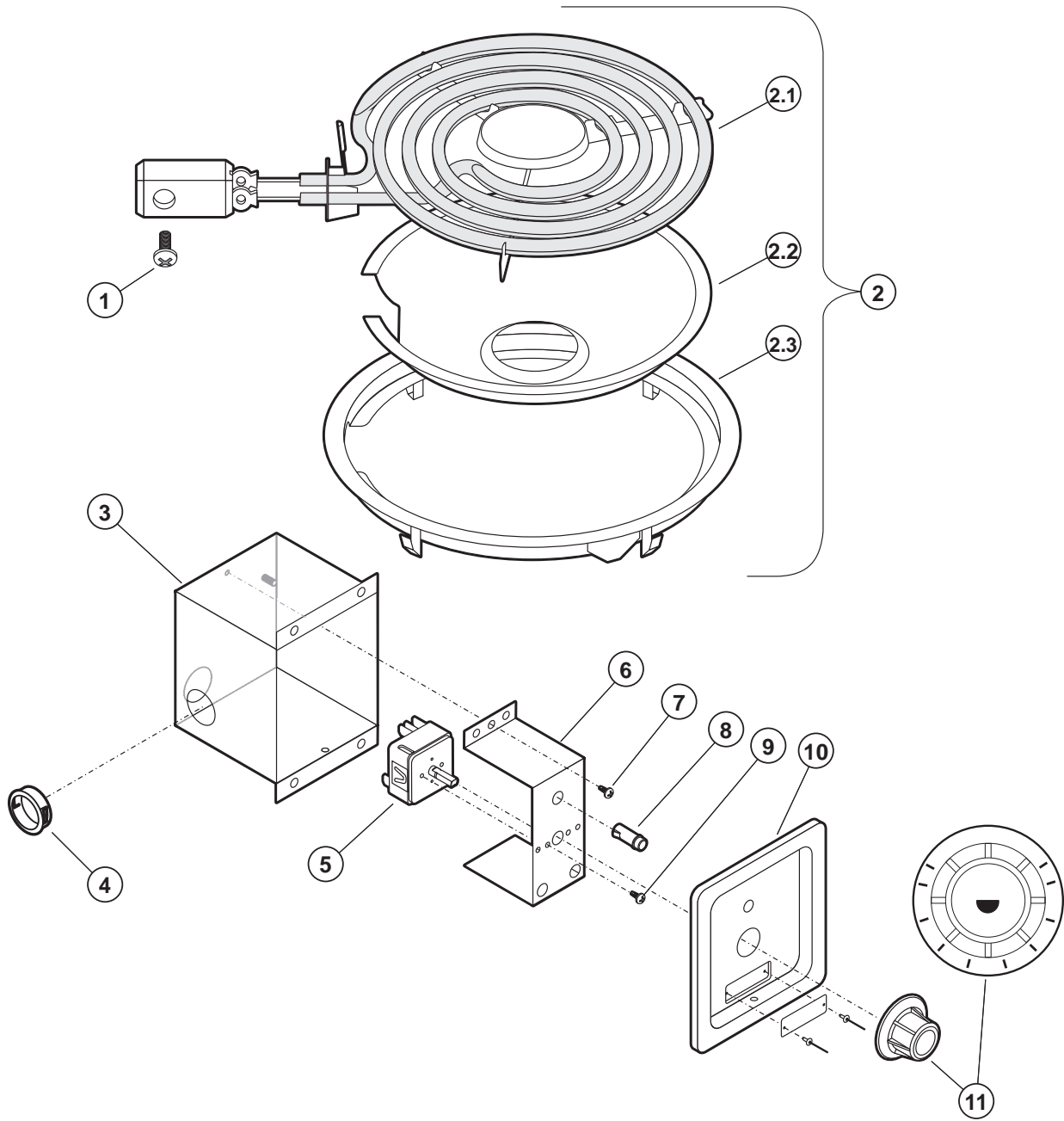
TROUBLESHOOTING

SYMPTOM	POSSIBLE CAUSE	SUGGESTED REMEDY
Hotplate won't heat	Disconnect OFF or circuit breaker tripped	Turn disconnect ON Check / reset circuit breaker
One or more sections won't heat	Temperature control not on	Turn temperature control to desired setting
	Damaged temperature control, element or other internal component	Contact Authorized Wells Service Agency for repairs
Hotplate not hot enough	Temperature control not set	Adjust for desired temperature
	Operating 208/240V unit at 120V	Be sure supply voltage matches nameplate voltage
	Damaged temperature control, element or other internal component	Contact Authorized Wells Service Agency for repairs

NOTE: There are no user serviceable components in this appliance. In all cases of damage or component malfunction, contact your Authorized Wells Service Agency for repairs.

EXPLODED VIEW: H336

H336 BUILT-IN ELECTRIC HOTPLATE - 208/240V - SPIRAL ELEMENT



Model: H336
Built-In Electric Hotplate - 208/240V Spiral Element

PL222



IL1799 Rev. A 6/24/09

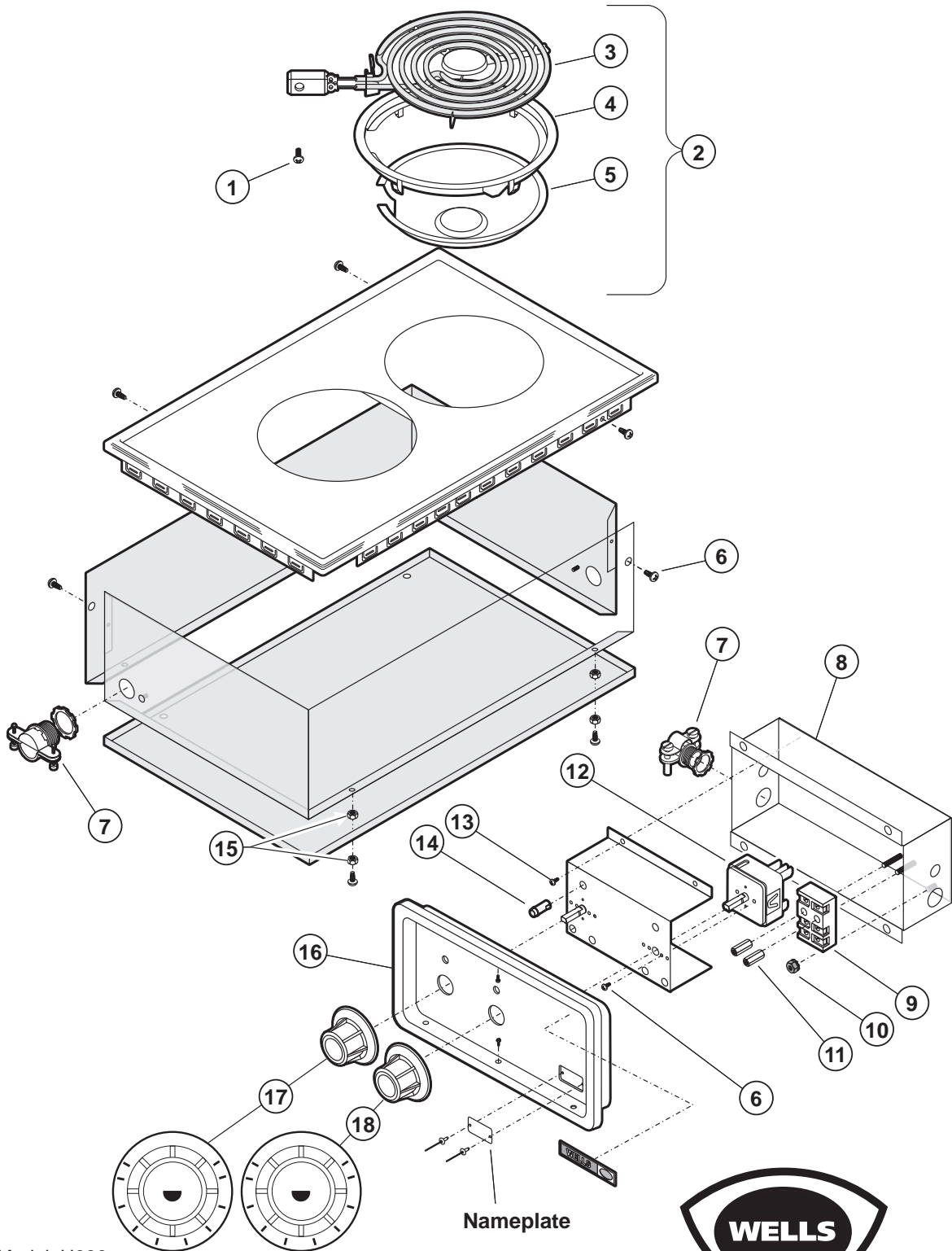
222 p/n 2M-303734 Owners Manual Built-In Hotplates

PARTS LIST: H336

H336 Built-in Electric Hotplate, Spiral Element			
Fig No	Part No	Qty	Description
1	2C-33977	2	SCREW, 8-32X3/8-PHBNHD
2	WS-50293	1	ELEMENT ASSY KIT, 240V @ 2600W
2.1	2N-30293ELUL	1	ELEMENT 240V 2600W
2.2	2P-6468	1	RING-ELEMENT ADAPTOR
2.3	2D-30293DT	1	DRIP TRAY
3	P2-31033	1	BOX CONTROL
4	2K-31040	1	BUSHING HEYCO 7/8" OD
5	2E-30562	1	SWITCH INFINITE 240V
6	P2-40843	1	BRKT MTG THERMO/INFINITE
7	2C-33935	1	SCREW 6ABX5/16 PH PAN SMS
8	WS-50385	1	LIGHT SIGNAL RED PUSH ON TERM
9	2C-31697	2	SCREW 8-32 X 3/16 PH RD HD
10	I7-Z12221	1	PANEL, FRONT/CONTROL
11	2R-30371	1	KNOB ASSY WARMERS

EXPLODED VIEW: H636

H-636 BUILT-IN ELECTRIC HOTPLATE - 208/240V - SPIRAL ELEMENT



Model: H636
Built-In Electric Hotplate - 208/240V Spiral Element

PL222



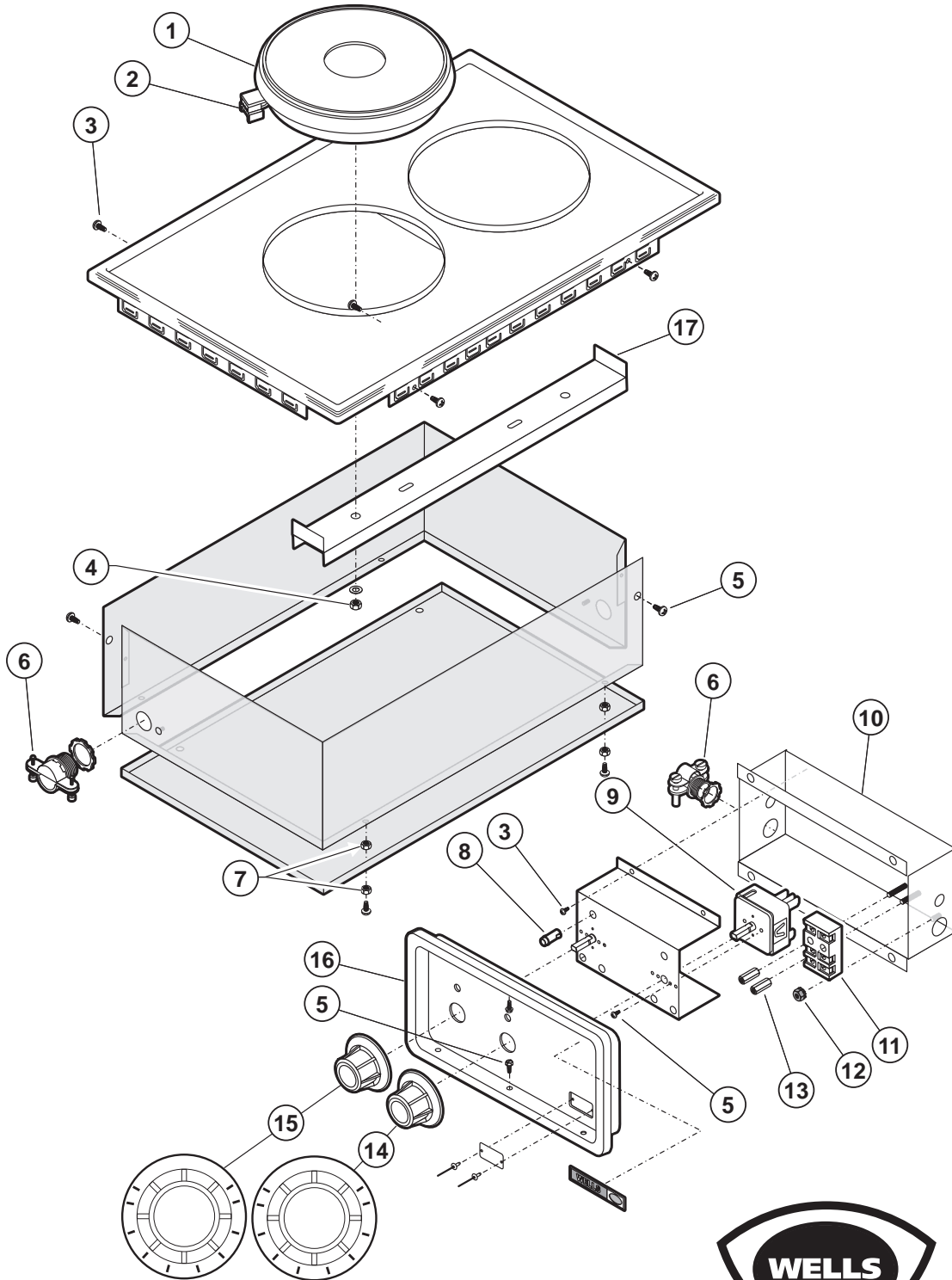
IL1800 Rev. B 1/21/11

PARTS LIST: H636

H636 Built-n Electric Hotplate, Spiral Element			
Fig No	Part No	Qty	Description
1	2C-33977	4	SCREW, 8-32X3/8-PHBNHD
2	WS-50293	2	ELEMENT ASSY KIT, 240V @ 2600W
3	2N-30293ELUL	2	ELEMENT 240V 2600W
4	2P-6468	2	RING-ELEMENT ADAPTOR
5	2D-30293DT	2	DRIP TRAY
6	2C-31697	4	SCREW, 8-32X3/16 PH RD HD
7	2K-37748X	2	FTG CONDUIT STRAIGHT 3/8
8	E7-49046	1	BOX OUTLET
9	WS-50131	1	TERM BLK KIT-3 POLE, 85AMP
10	2C-35736	2	NUT 8-32 HEX
11	2C-41974	2	NUT 8-32 HEX 7/8 LONG ALU
12	2E-30562	2	SWITCH INFINITE 240V
13	2C-33935	4	SCREW 6ABX1/16 PH PAN
14	WS-50385	2	LIGHT SIGNAL RED PUSH ON
15	2C-31053	8	NUT 8-32 KEPS MS NICKEL
16	P2-Z12288	1	PNL,CNTRL
17	2R-30584	1	KNOB RR
18	2R-30583	1	KNOB FR

EXPLODED VIEW: H706

H-706 BUILT-IN ELECTRIC HOTPLATE - 208/240V - SOLID (FRENCH PLATE) ELEMENT



Model: H706
Built-In Electric Hotplate - 208/240V Solid (French Plate) Element

PL222



IL1801 Rev. B 1/21/11

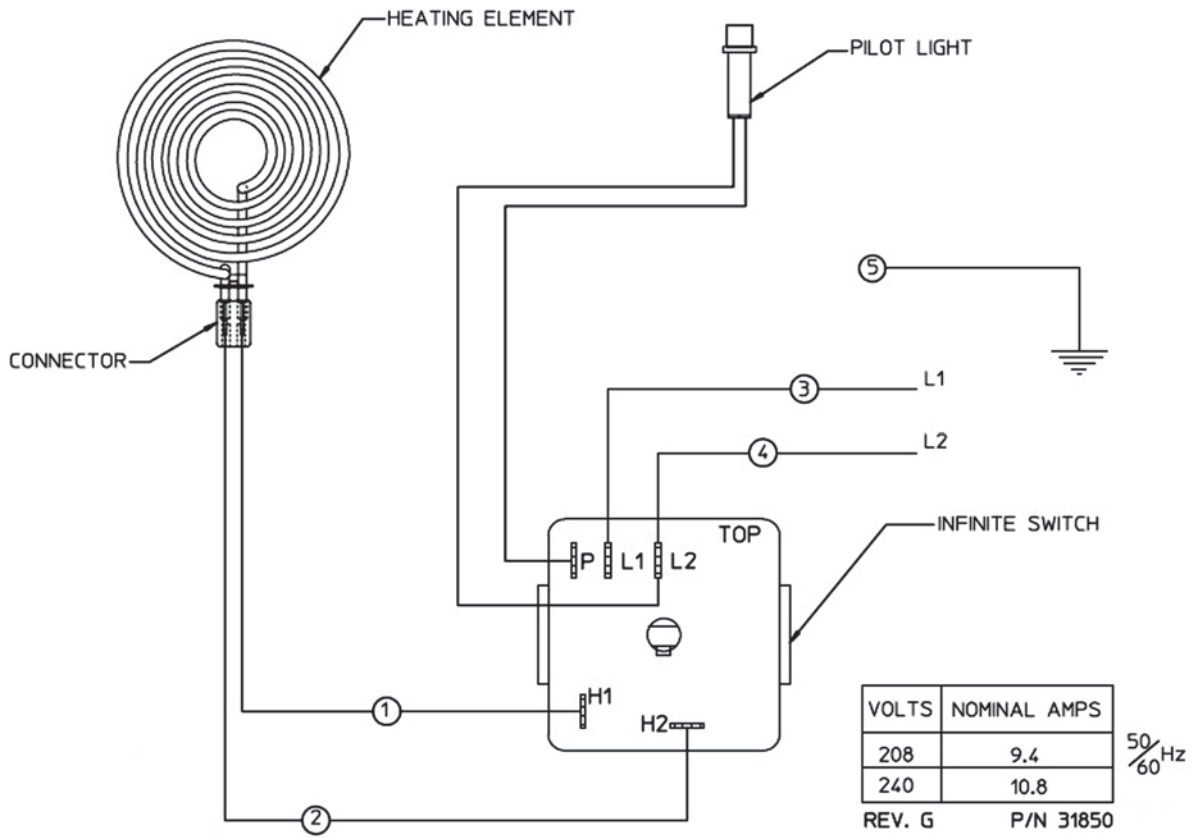
222 p/n 2M-303734 Owners Manual Built-In Hotplates

PARTS LIST: H706

H706 Built-In Electric Hotplate, French Plate			
Fig No	Part No	Qty	Description
1	WS-503973	2	ELEM HPLATE UPGRADE FUSED
2	WS-503972	2	HPLATE UPGRADE CRACKED CE
3	2C-33935	8	SCREW 6AB X 5/16 PH PAN SMS
4	2C-31053	2	NUT 8-32 KEPS MS NICKEL
5	2C-31697	4	SCREW 8-32X3/16 PH RD HD
6	2K-37748X	2	FTG CONDUIT STRAIGHT 3/8
7	2C-31053	6	NUT 8-32 KEPS MS NICKEL
8	WS-50385	2	LIGHT SIGNAL RED PUSH ON
9	2E-30562	2	SWITCH INFINITE 240V
10	E7-49046	1	BOX OUTLET
11	WS-50131	1	TERM BLOCK KIT RETRO
12	2C-35736	1	NUT 8-32 HEX KEPS MS GREEN
13	2C-41974	2	NUT 8-32 HEX 7/8 LONG ALU
14	2R-30583	1	KNOB ASSY FRONT HOTPLATE
15	2R-30584	1	KNOB RR
16	P2-Z12288	1	PNL, CNTRL
17	I7-37930	1	CHANNEL ELEM MOUNT H706

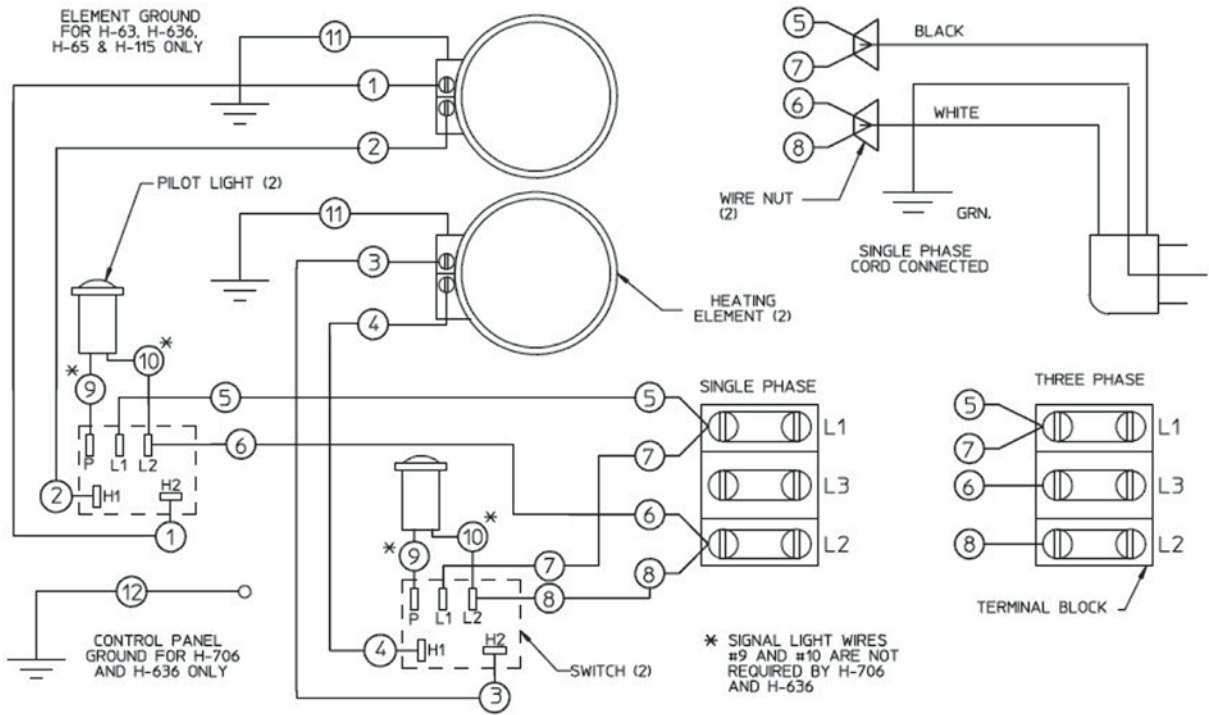
WIRING DIAGRAM

WIRING DIAGRAM ELECTRIC COUNTERTOP HOTPLATES H-336



WIRING DIAGRAM

WIRING DIAGRAM ELECTRIC COUNTERTOP HOTPLATES H-636, H-656 and H-706



MODELS	VOLTS	AMPS 3 PHASE			AMPS 1 PHASE	FREQ.
		L1	L2	L3		
H-70 AND H-706	208	12.5	7.2	7.2	14.4	50 / 60 HZ
	240	14.4	8.3	8.3	16.7	
H-63, H-65 AND H-636		16.3	9.4	9.4	18.8	
		18.8	10.8	10.8	21.7	
H-115	120	-	-	-	13.8	

REV. A P/N 300093

NOTES

PARTS & SERVICE

DESCRIPTION

Drip Tray, 8" for H-636
Element Support, H-636, H-656

SERVICE PART NO.

21705
500039

IMPORTANT: Use only factory authorized service parts and replacement filters.

For factory authorized service, or to order factory authorized replacement parts, contact your Wells authorized service agency, or call:

Wells Bloomfield, LLC
10 Sunnen Dr.,
St. Louis MO 63143 USA

Service Dept.
phone: (888) 356-5362
fax: (314) 781-2714

Service Parts Department can supply you with the name and telephone number of the WELLS AUTHORIZED SERVICE AGENCY nearest you.

CUSTOMER SERVICE DATA

please have this information available if calling for service

RESTAURANT _____ LOCATION _____

INSTALLATION DATE _____ TECHNICIAN _____

SERVICE COMPANY _____

ADDRESS _____ STATE _____ ZIP _____

TELEPHONE NUMBER (____)____-____ EQUIPMENT MODEL NO. _____

EQUIPMENT SERIAL NO. _____

VOLTAGE: (check one) 120 208 240



Wells Bloomfield proudly supports CFESA
Commercial Food Equipment Service Association

SERVICE TRAINING - QUALITY SERVICE



CUSTOMER SATISFACTION



WELLS BLOOMFIELD, LLC
10 Sunnen Dr., St. Louis, MO 63143
telephone: 888-356-5362
fax: 314-781-2714
www.wells-mfg.com