

Unit Information

WDG250T, WFG250T, WPG250T 1800 Watts - 120 volt  NEMA 5-15

Timer requires 2 AAA batteries

Grill takes about 10 minutes to warm up.

14.5" x 11" Cooking Surface

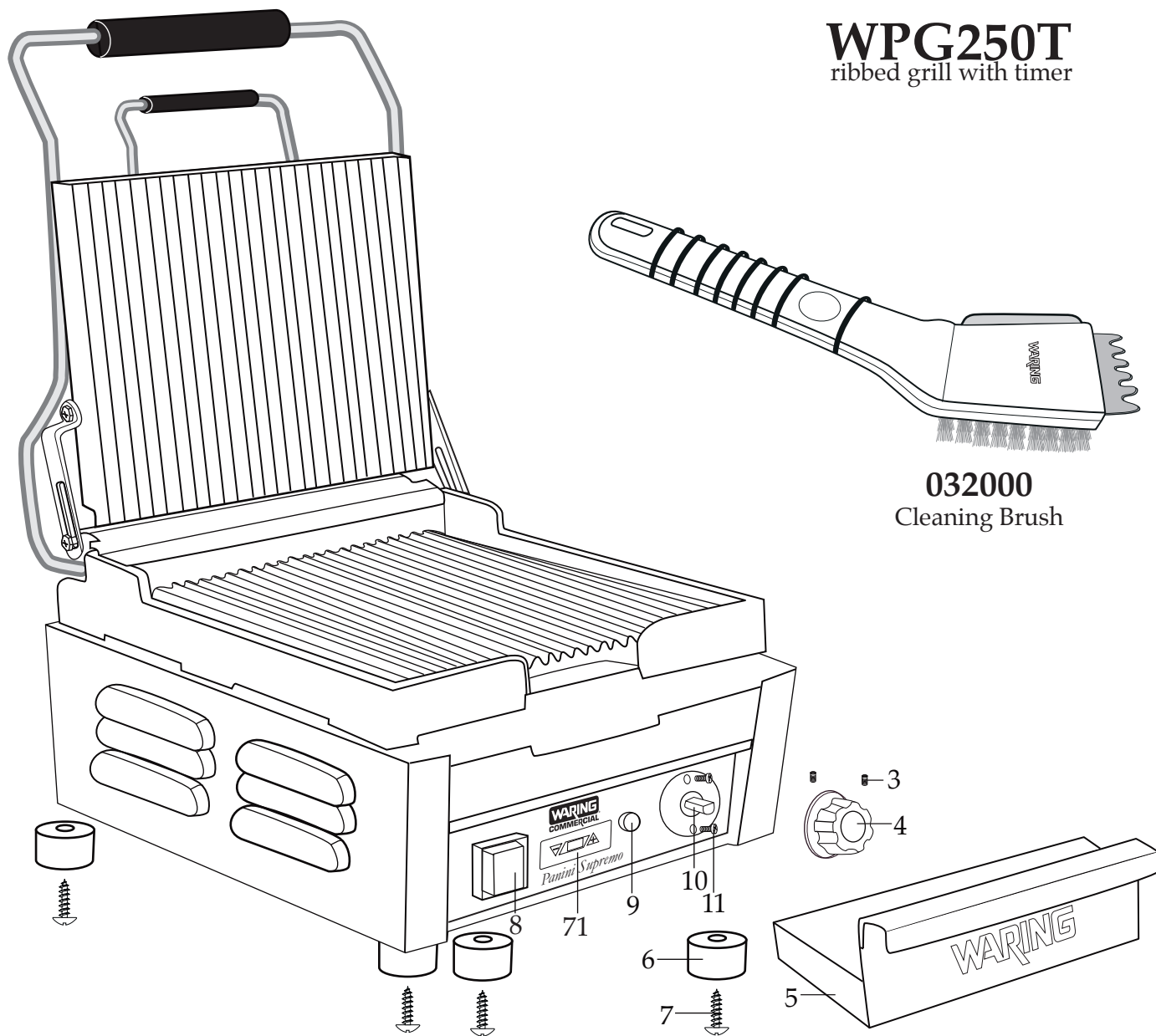
Flat, Ribbed or Flat & Ribbed Cast Iron Plates

WARING
COMMERCIAL

WDG250T
ribbed top and flat bottom grill with timer

WFG250T
flat grill with timer

WPG250T
ribbed grill with timer



032000
Cleaning Brush

034205 WDG250T Base Unit Assembly / ribbed top & flat bottom

034206 WFG250T Base Unit Assembly / flat

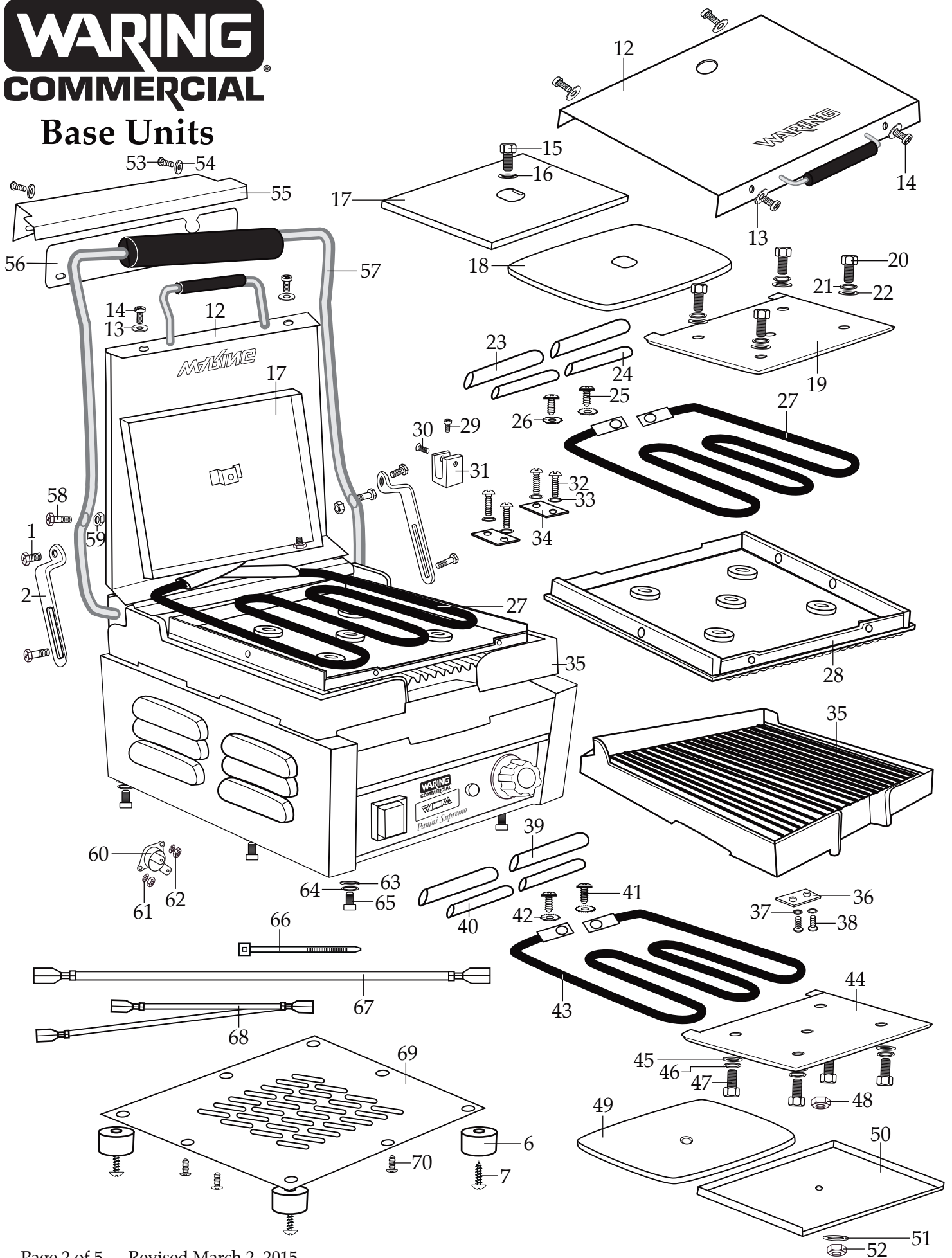
034207 WPG250T Base Unit Assembly / ribbed



029824

5/32" Short Arm Hex Key

Base Units



Catalog/Model

WDG250T

WFG250T

WPG250T



Illustration #	Part #	Description
1	028625	Pivot Bracket Screw Set (1 large & 1 small 2 sets required)
2	028624	Pivot Bracket (2 required)
3	028627	Set Screw (2 required)
4	028626	Control Knob
5	029503	Drip Tray
6	028622	Foot (4 required)
7	028623	Foot Screw (4 required)
8	029477	On-Off Switch
9	029941	Indicator Light
10	029942	Thermostat
11	029943	Screw for thermostat (2 required)
12	029945	Cover
13	029946	Washer (4 required)
14	029947	Screw (4 required)
15	029950	Hex Head Bolt
16	029951	Washer
17	029953	Top Insulation Plate
18	029949	Top Insulation
19	029955	Top Element Plate
20	029962	Hex Head Bolt (4 required)
21	029963	Spring Washer (4 required)
22	029964	Washer (4 required)
23	029956	Fiber Sleeve (2 required)
24	029957	Plastic Sleeve (2 required)
25	029958	Screw (2 required)
26	029959	Washer (2 required)
27	029961	Top Element - 6 Amps
28	029967	Ribbed Top Grill Plate
	029968	Flat Top Grill Plate
29	030054	Screw
30	030055	Tension Screw

Catalog/Model

WDG250T
WFG250T
WPG250T



Illustration #	Part #	Description
31	030056	Tension Bracket
32	029992	Screw (4 required)
33	029993	Spring Washer (4 required)
34	029995	Bracket for large handle (2 required)
35	029971 029972	Ribbed Bottom Grill Plate Flat Bottom Grill Plate
36	029973	Thermostat Bracket
37	029974	Washer (2 required)
38	029975	Screw (2 required)
39	029956	Fiber Sleeve (2 required)
40	029957	Plastic Sleeve (2 required)
41	029958	Screw (2 required)
42	029959	Washer (2 required)
43	029977	Bottom Element - 8 Amps
44	029979	Bottom Element Plate
45	029964	Washer (4 required)
46	029963	Spring Washer (4 required)
47	029962	Hex Head Bolt (4 required)
48	029980	Nut
49	029982	Bottom Insulation
50	029984	Bottom Insulation Plate
51	029951	Washer
52	029980	Nut
53	029985	Screw (2 required)
54	029986	Washer (2 required)
55	030007	Rear Cover with Tension Cover
56	030008	Rear Cover Plate with Tension Hole
57	030009	Large Handle
58	029990	Hex Head Screw (2 required)
59	029991	Nut (2 required)
60	029996	Thermal Cut-off

Catalog/Model

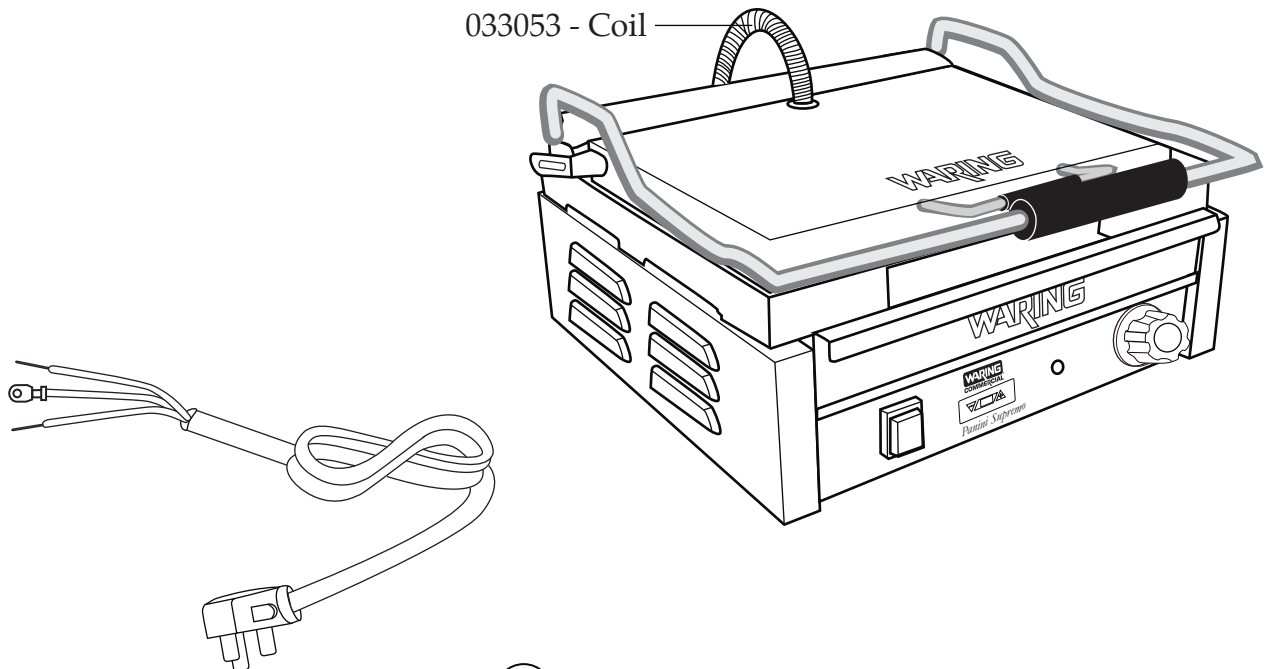
WDG250T


WFG250T

WPG250T

Waring Factory Service Center
314 Ella T. Grasso Ave.
Torrington, CT 06790
Tele. 1-800-269-6640
Fax 860-496-9017
www.waringcommercialproducts.com

Illustration #	Part #	Description
61	029997	Washer (2 required)
62	029998	Nut (2 required)
63	029999	Washer (4 required)
64	030000	Spring Washer (4 required)
65	030001	Bolt (4 required)
66	013731	Wire Tie (7 required)
67	030003	17" Red Lead
68	030004	Joined Red & White Lead
69	030002	Bottom Housing Plate
70	030006	Screw (4 required)
71	034202	Timer ONLY (2AAA batteries needed)



033681 - Cord 120 volt NEMA 5-15 

*** Certified replacement of the cord set can only be performed by an Authorized Service Center or the Waring Factory Service Center.**