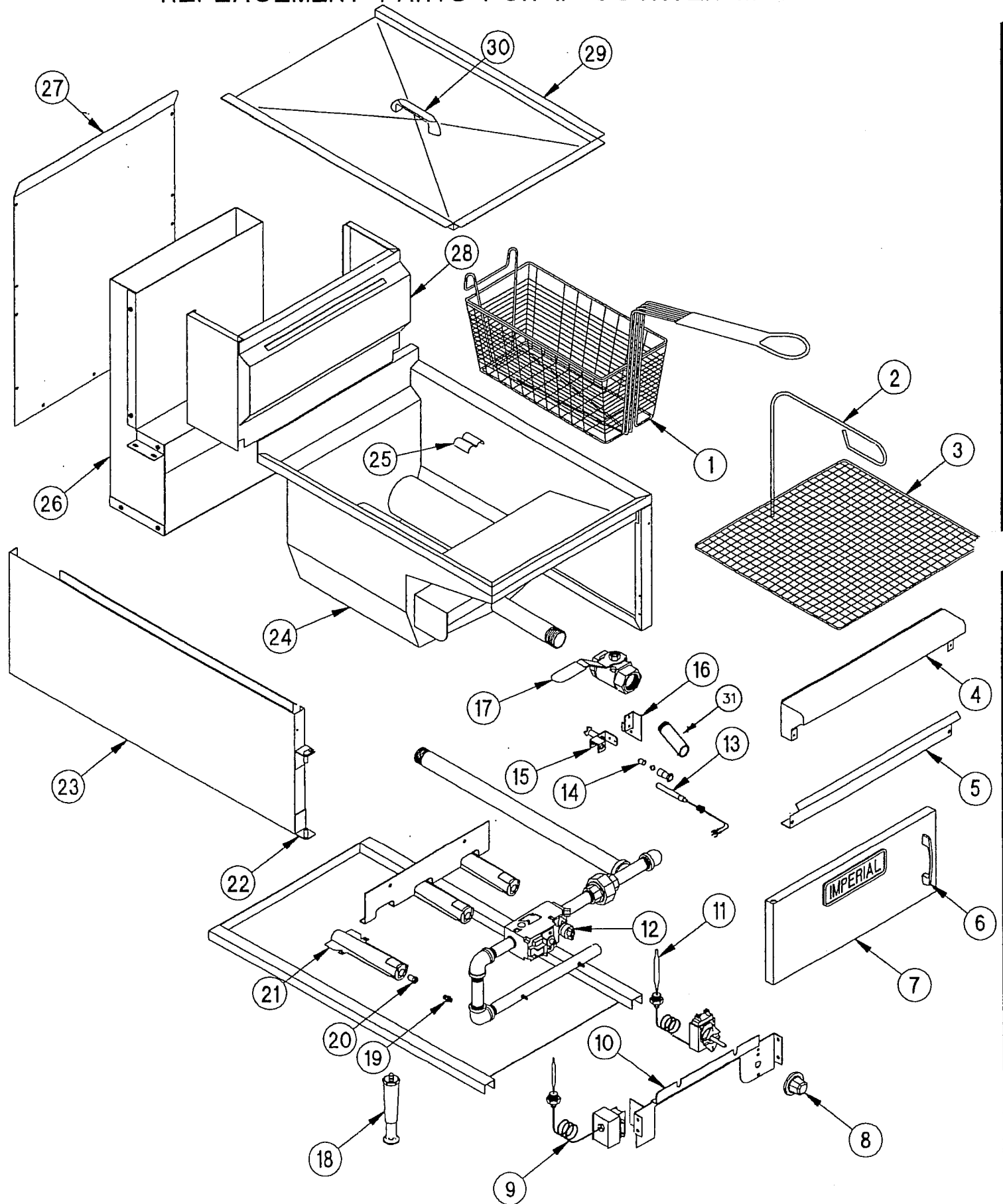


COUNTER FRYER

REPLACEMENT PARTS FOR IF-COUNTER MODEL



COUNTERTOP SERIES FRYER

ITEM NO	DESCRIPTION	PART #	
1	Frying Basket (L 12"x W 6-1/4"x D 5-1/4")	3073	2
2	Goofer Rod - Declogger	28087	1
3	Crumb Screen Fine Mesh (12" x 12")	3074	1
4	Landing Ledge	20080	1
5	Landing Ledge Cover	20105	1
6	Handle	1090	1
7	Fryer Door	20115	1
8	Knob	1176	1
9	Hi-Limit Switch	1177	1
10	Counter Top Fryer T-Stat/High Limit Bracket	20116	1
11	Thermostat	1175	1
12	Comb Gas Valve - NAT.	1283	1
	Comb Gas Valve - L.P.	1283 & 28089	1
13	Thermopile	1096	1
14	Pilot Bell Orifice - NAT.	1017	1
	Pilot Bell Orifice - L.P.	1018	1
15	Pilot Burner - NAT.	0316	1
	Pilot Burner - L.P.	0316 & 1018	1
16	Pilot mounting Bracket	1327	1
17	Drain Valve	1281	1
18	Adjustable Leg 4"	1010	4
***	4in. Adj. Appliance Leg W/ Nylon Glide	3901	4
19	Burner orifice Fitting	1282	3
20	Orifice - NAT.	1700-44	3
	Orifice - L.P.	1700-55	3
21	Burner Orifice Fitting	1330	3
22	Upper Door Hanger	28048	1
	Bottom Door Hanger	28050	1
23	R/H - Side Panel	1331	1
	L/H - Side Panel	1332	1
24	Vessel Assembly	1350	1
***	Diffuser Assembly	31769	3
25	Probe Holder Bracket	28077	1
26	Flue Assembly	1335	1
27	Structural Back	1336	1
28	Basket Hanger	28074	1
	Vessel Back Panel	28056	1
29	Vessel Vat Cover W/ Handle (22-1/4 x 15-1/4)	28288	1
30	Handle	1090	1
31	Drain Extension For Counter Top Fryer	30864	1